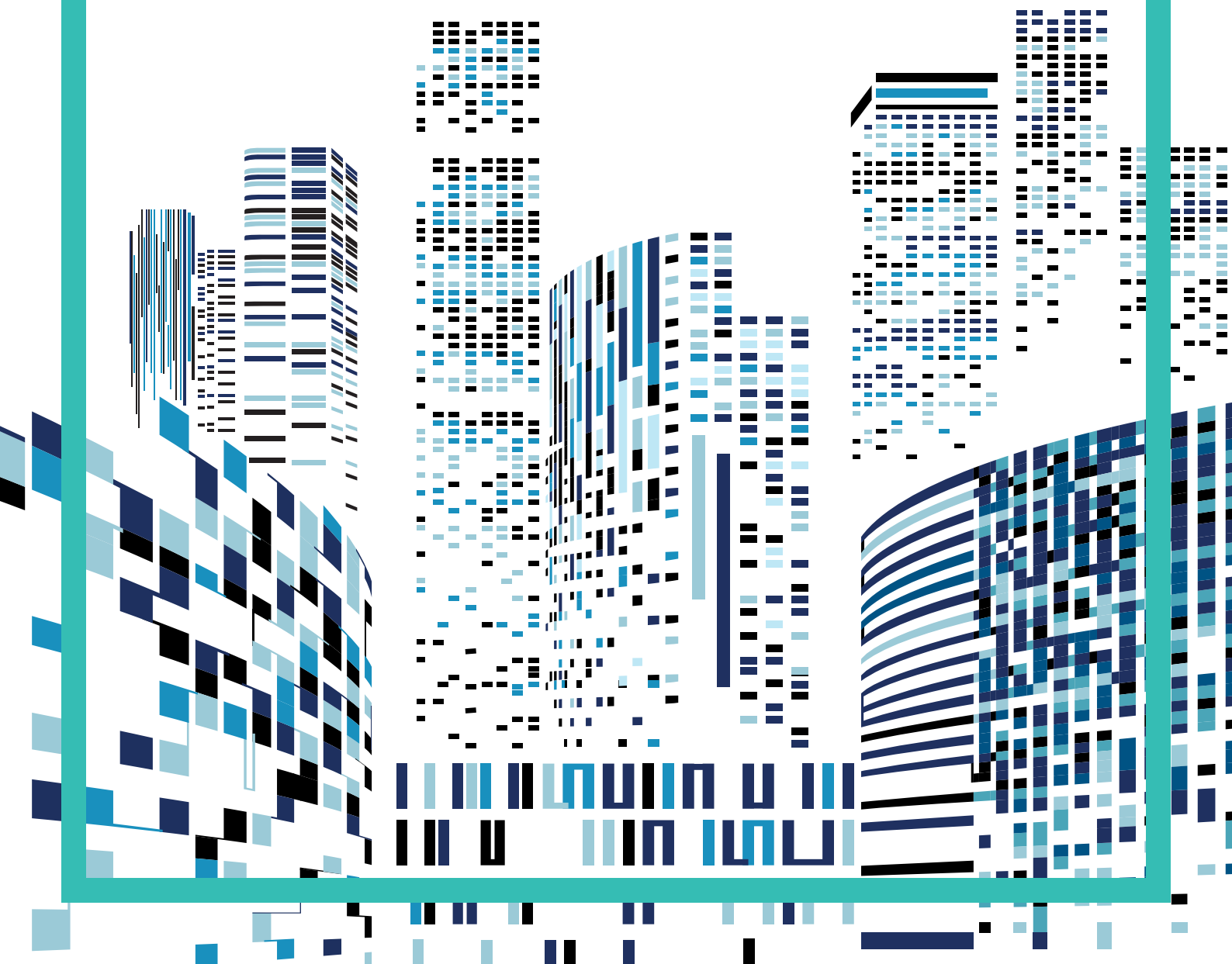


# BIM Catalogue



**We don't just supply  
parts. We develop  
partnerships.**

**TECHNOFORM**

# **BIM is here to stay**

After the creation of the new European directives, and the support of several administrations, BIM is going to represent an important evolution for the design of new architectural projects.

In Technoform we are aware of the importance of this new practice and together with our customers, we have developed a BIM version of the most efficient window systems.

Each of the window systems showed in this catalogue represent some of the most innovative systems on the market, with thermal, acoustic and tightness values that adapt perfectly to the strict normative requirements that are being established today.

From Technoform, and thanks to the support of our customers, we cooperate in the development of their systems to obtain better thermal performances of windows and to contribute to the sustainability of new projects.

Technoform encourages a collaborative approach with our customers, working together to develop the most innovative solutions on the market.

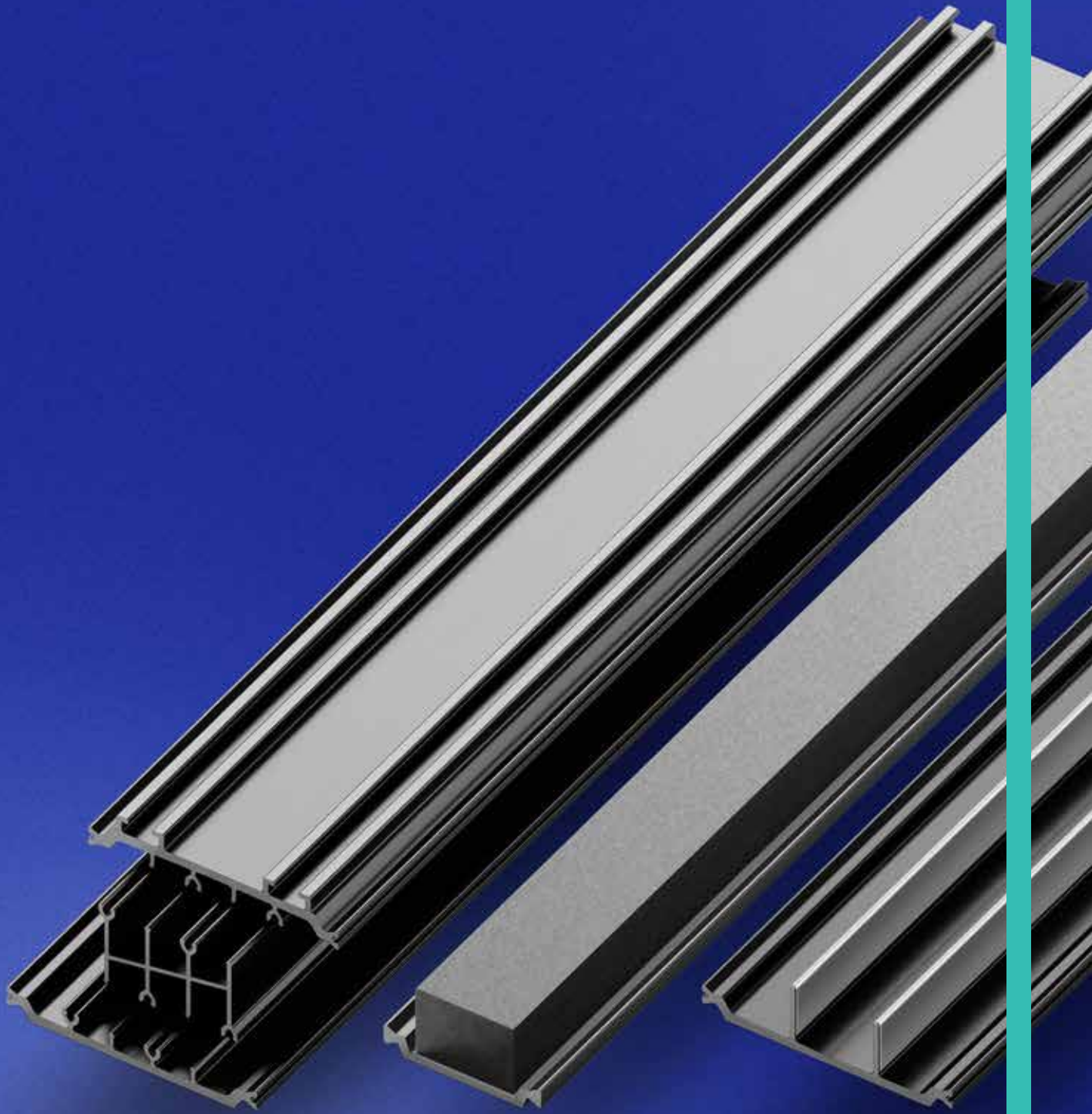
[www.technoform.com](http://www.technoform.com)





**BIM**  
Building Information Modeling

**TECHNOFORM**



**Insulation solutions for  
windows, doors and facades**

## Global presence, local know-how

- ✓ Over 40 years, we have built relationships throughout the world.
- ✓ Consistent quality from start to finish.
- ✓ Choose from a standard offering of over 800 profiles.
- ✓ Your partner for endless design possibilities.

## The best break you can have

Without insulation, aluminum windows, doors, and facades transfer heat, leading to a huge loss of energy. This is where our high-precision insulating profiles come into play. Connecting aluminum panels of any kind, while keeping mechanical performance at the highest level, they prevent direct exchange of heat and cold – and create what is known as the “thermal break”. The result: minimized thermal conductivity, optimized efficiency, and a better energy footprint. Simply put, we keep heat and cold outside and a comfortable climate inside – and energy costs low.

Our products can save energy amounting to 85 %, reducing CO<sub>2</sub>-emissions considerably. This could mean huge savings, money that can then be put to good use, year on year. And with our wide range of standard geometries as well as tailored profiles, you are sure to find a solution to fit your needs, no matter the scale of your challenge.

Local challenges require local knowledge. To make sure you are getting the right know-how for your challenges, we are established across the world in production sites and sales offices. As a family business, we understand that collaboration and cooperation with you, wherever you are, is at the core of our value and our reputation. For over 40 years we have been the ideal partner to develop and optimize the insulation zone.

## Airtight benefits

- ✓ **Innovative thermally improved edge bond solutions and special components.**
- ✓ **Benefit from our expertise in extrusion and tooling.**
- ✓ **Full package including direct on-site assistance.**
- ✓ **Improve efficiency and reduce emissions.**

## The complete package

In an uninsulated home or property, up to 40 % of heat loss occurs through windows. As the world leader in thermally optimized hybrid plastic spacers for insulating glass, our thermally improved edge bond solutions and special components work to greatly reduce heat loss. In fact, our products help to save approximately 1.5 billion kWh of energy each year, significantly reducing the global level of CO2 emissions.

Thermal spacers work by separating the panes of glass in double or triple glazing. By sealing off the air cavity they help to prevent heat loss and improve thermal performance via warm edge technology - meaning that the energy losses between the inside and outside of the window remain low. Not only does this help to achieve excellent thermal performance, our spacers deliver a durable solution with no sacrifice on design. Moreover, our solutions deliver peace of mind to our customers as part of a complete package: not only do we sell the market-leading warm edge spacer, we also provide direct on-site assistance with the setup of new and existing bending machines, as well as sourcing machine parts.





**Thermal edge bond solutions  
for insulating glass**

# Technal

Technal, a division of Hydro, is one of the world's leading in design, fabrication and sales of aluminium windows and doors.

Their portfolio of window systems is wide and, one its main characteristics, is their luminosity achieved by optimizing the frame of the system so to give more space for the glass.

They have a vast portfolio of window systems, focused on optimising sight lines to enhance the capture of natural light.

Technal is one referential trademark for the architects around Europe. Its chain of professional fabricators is one of the widest and highest recognised in the market.



## Soleal 75 FY Oculta

Soleal 75 FY system is the evolution of systems Soleal 55 and 65.

Available in three totally compatible versions: Hidden, minimal and visible sash.

Optimized aluminium depth making more luminosity possible.

All versions of the Soleal 75 FY system include Technoform polyamide. Designed specifically to optimize the thermal behaviour and maximize comfort.

**More information and downloads at:**

[www.technal.com](http://www.technal.com)  
[www.bimetica.com](http://www.bimetica.com)  
[www.technoform.com](http://www.technoform.com)



# Exlabesa

Founded in 1966, Exlabesa is a worldwide reference in the extrusion of aluminium as well as in the design of windows and doors systems.

Exlabesa has one of the bigger production capacities in Europe that go from the aluminium extrusion to the external treatments.

The new Exlabesa windows and doors systems are called RS and they are the backbone which allows Exlabesa and its workers to continue advancing towards ever more light and reliable products, with reduced impact on our environment.



## RS-77 CE

System RS-77 CE of Exlabesa is the most advanced window of the series RS including the systems RS-65 HH.

RS-77 CE has also a hidden sash version with the name RS-70 HO.

RS-77 CE is offered with the European closing system but it can be demanded with C16 system.

New systems of Exlabesa have Technoform polyamides inside designed specifically for Exlabesa.

**More information and downloads at:**

[www.exlabesa.com](http://www.exlabesa.com)  
[www.bimetica.com](http://www.bimetica.com)  
[www.technoform.com](http://www.technoform.com)

# Alugal

With more than 20 years in the market, Galimetal-Alugal, with headquarters in Galicia, is focused on the sales of a wide range of windows and doors systems.

Galimetal-Alugal has its own production plant that includes all the aluminium processes including extrusion and external treatments.

Galimetal-Alugal invests in R&D therefore generating a product range that is able to cover the needs that may arise from any given project.



## RT-74

System RT-74 is the high-performance system of the company Alugal to fulfil the highest demands from the markets.

RT-74 fulfils the strictest norms and codes of every country.

It exists the modality in hidden sash.

Alugal has used their partnership with Technoform to include polyamide thermal break in the core of the system RT-74.

**More information and downloads at:**

[www.alugalsl.es](http://www.alugalsl.es)  
[www.bimetica.com](http://www.bimetica.com)  
[www.technoform.com](http://www.technoform.com)

# Codalmha

Codalmha, located in the region of Madrid, in the city of Ciempozuelos, is an aluminium systems distributor.

In its catalogue, the best systems of the market can be found as well as own designed ones that give a complete and deep option.

Codalmha has always been known for the quality of its products as well as for its service.

In 2016 Codalmha releases its most ambitious window system called Delta-80 that reaches the most demanding thermal values.



## Delta 80 RPT

The new Codalmha Delta 80 is a system with a depth of 80 mm.

Delta 80 accepts multiple glazing options.

Can be also offered in the modality of hidden sash that allows more luminosity.

New Delta 80 RPT benefits from Technoform thermal break technology.



**More information and downloads at:**

[www.codalmha.com](http://www.codalmha.com)  
[www.bimetica.com](http://www.bimetica.com)  
[www.technoform.com](http://www.technoform.com)

# Extrusal

In 1972, the Extrusal Company appeared on the Portuguese Market, a national extrusion and treatment profiles aluminium company for architecture and industry application. Throughout the last 44 years, Extrusal has always set store on the highest quality of its products engaging on maximum customer satisfaction.

Extrusal has in its product portfolio a wide range of solutions for architecture - casement and sliding systems, façade systems, shading systems and solution for indoor - and industry - standard profiles. Extrusal also offers to its customers various surface treatments, fully realized in its factory.

By choosing Extrusal, the customers have as guarantees the quality of products and their contribution to the respect for the environment, which belongs to all of us!



## A175

System A175 is the high-performance system of the series A100 including tilt systems from 55 mm depth up to 75 mm.

A175 is also available in the hidden sash version.

Varied possibilities of glazing and there is the possibility to have the turn and tilt closing system.

System A175 uses Technoform polyamide with chambers to improve the thermal performance of the system.



**More information and downloads at:**

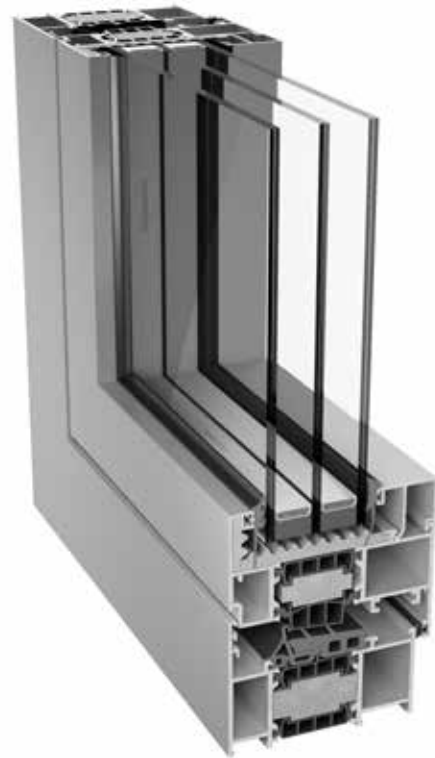
[www.extrusal.pt](http://www.extrusal.pt)  
[www.bimetica.com](http://www.bimetica.com)  
[www.technoform.com](http://www.technoform.com)

# Grupo Sopena

Grupo Sopena, located in the city of Náquera, in the area of Valencia, it has been, since 1968, offering constructive solutions to the national market.

It has its own production plants that include from aluminium extrusion up to the external treatments.

The construction solutions catalogue of Grupo Sopena go from the most solvent turn and tilt as V98 to the majestic SM-85. It also covers sliding and lift and slide options offering to the customer many solutions able to be used at any project.



## SM-85 RPT

SM-85 RPT is the most ambitious system of Sopena.

SM-85 offers several configurations: from basic system, up to the high-performance including insulation FOAM inside.

With a depth of 85 mm, SM-85 is one of the strongest systems on the market and can accept multiple glazing options.

SM-85 uses polyamide from Technoform to be consistent with requirements of this system.



**More information and downloads at:**

[www.gruposopena.com](http://www.gruposopena.com)  
[www.bimetica.com](http://www.bimetica.com)  
[www.technoform.com](http://www.technoform.com)

# Riventi

Riventi directs all his efforts towards progress in construction, emphasizing on quality as the main value of the many innovative solutions that have made it a pioneer in the sector.

The façade solutions offered by Riventi meet the most demanding requirements in the field of energy- and environmental efficiency, as well as in the assembly processes.

Our systems have been industrialized with the adequate tools and methods to optimize the impact of the production process.



## Amplitude

Amplitude is the brand for the minimal windows of the well-known company Riventi.

With a depth of 120 mm, Amplitude can be offered with 2 or 3 sliders.

Its configurations allow greater luminosity thanks to the minimization of the aluminium.

Amplitude has a perfect thermal value due to the Technoform polyamides inside.

**More information and downloads at:**

[www.amplitudewindows.com](http://www.amplitudewindows.com)

[www.riventi.net](http://www.riventi.net)

[www.bimetica.com](http://www.bimetica.com)

[www.technoform.com](http://www.technoform.com)



# Navarra Aluminio

Founded in 1977 and located at the Portuguese city of Braga, Navarra is one of the better recognized aluminium system companies of Portugal.

It has its own production plant that includes from aluminium extrusion up to the external treatments being the company with bigger production capacity of Portugal.

It has 8 distribution centres spread in the country giving the company a quick service to their customers.

Navarra has one of the bigger catalogues of Portugal with window systems that go from turn and tilt options to minimal sliding windows.



## N18200

New system N18200 is the first system of a new generation of windows in Navarra to face the challenges of the future.

N18200 offers a reasonable balance between thermal behaviour and economical budgets.

Can be installed with normal tilt and turn and tilt opening system.

N18200 reaches an optimal Uf value thanks to the Technoform polyamide inside.

**More information and downloads at:**

[www.navarraaluminio.com](http://www.navarraaluminio.com)  
[www.bimetica.com](http://www.bimetica.com)  
[www.technoform.com](http://www.technoform.com)

# Euralco

Euralco, company founded in 1994, is located in the region of Madrid, in the city of Leganés.

It is a leader company in the distribution and selling of aluminium windows and doors systems in the central area of Spain.

Euralco's catalogue stands out for its wide range of products and for being able to unite the most solvent windows and doors systems of the market.

Now Euralco, steps forward by designing its own system that is placed together with the most efficient windows.



## E65

The new system E65 is the high-level system of the catalogue of Euralco having a depth of 65 mm.

The profiles take glazing between 14 mm and 37 mm.

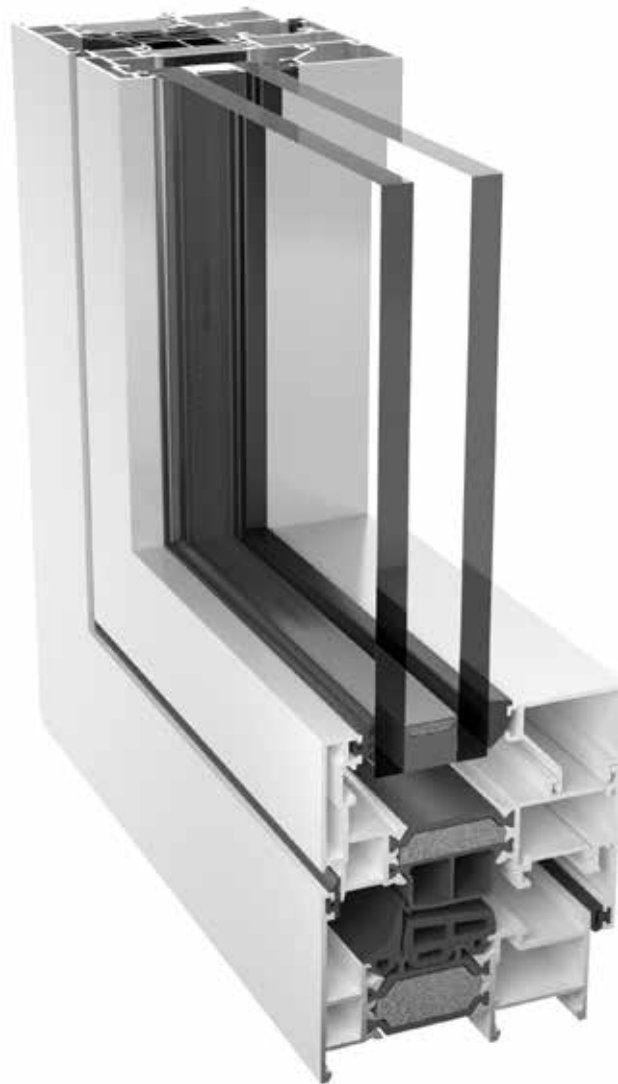
E65 fulfils the most important requirements of different norms for southern Europe.

E65 has a perfect thermal performance thanks to the Technoform polyamides inside.



**More information and downloads at:**

[www.euralco.net](http://www.euralco.net)  
[www.bimetica.com](http://www.bimetica.com)  
[www.technoform.com](http://www.technoform.com)



## **E75**

The new system E75 is the high-level system of the catalogue of Euralco having a depth of 75 mm.

Several possibilities of glazing and European closing system.

E75 fulfils the most important requirements of different norms for southern Europe.

E75 has a perfect thermal performance thanks to the Technoform polyamides inside.

# Aluporta

ALUPORTA is a leading company in the manufacture of panel doors and aluminium doors and aluminium with wood inside with experience in the sector of over 10 years.

ALUPORTA, focussed on quality in all their products, has a great variety of models with more than 700 designs, divided in several ranges, from most rustic to the most modern, in order to comply with the requirements of the current market.

Our new installations centralize all the productive process, with the most advanced production systems of the sector, giving the guarantee to their products and the best finish, in order to be able to give the best service to their customers.



## FR70ES

FR70ES is one of the the model Boro doors.

Boro system offers one of the best thermal performance in south Europe in both versions, FR70ES and RN54.

FR70ES can be offered with a depth of between 100 and 160 mm.

The polyamide inside the FR70ES is the result of a specific design by Technoform for this door.



**More information and downloads at:**

[www.aluporta.com](http://www.aluporta.com)  
[www.bimetica.com](http://www.bimetica.com)  
[www.technoform.com](http://www.technoform.com)



## RN54

RN54 is one of the versions of the model Boro doors with overlap in the frame.

This system attenuates the thermal distortion of aluminium (dilatations) which involves less maintenance interventions and causes energy savings.

RN54 can be offered with a depth between 100 and 160 mm.

ALUPORTA managed to realize a hidden sash frame with a specific thermal break designed by Technoform.

# Galisur

With headquarters in Sevilla, Galisur is one of the windows and doors system designers with more experience in the national market after 40 years of experience.

Galisur has its own production capacity with extrusion, painting and anodizing.

Its window and door system lines is one of the most compatible sharing elements in all their GP systems.

GP systems has a thermal break line that goes from widths of 45 mm up to the better performance 72 mm.



## GP-R72 RPT

System GP-R72 RPT is the most advanced system of the company Galisur.

You can choose between the version with insulating FOAM inside or without.

GP-R72 RPT accepts several possibilities of glazing and it shares elements totally compatible with the rest of windows of the series.

Inside the window, GP-R72 RPT we can find special polyamide of Technoform that improves the thermal performance of the system.

**More information and downloads at:**

[www.galisur.es](http://www.galisur.es)  
[www.bimetica.com](http://www.bimetica.com)  
[www.technoform.com](http://www.technoform.com)



## GP-R62 RPT

GP-R62 RPT is the smaller version of the system GP-R72 RPT.

With a depth of 62 mm, GP-R62 RPT is one of the most reinforced systems of this range of windows thanks to the double hardware.

Can be offered also under the modality of hidden sash.

Inside the GP-R62 RPT beats a heart of Technoform polyamide.



## GP-R120 RPT

Slider GP-R120 RPT is the lifting slider of the company Galisur.

With a depth of 120 mm can support glazing with a weight of 300 Kg.

GP-R120 RPT can be assembled with 2,3,4 and slides.

This sliding system has polyamides of Technoform in the frame and in the sliding sash to ensure the correct thermal behaviour.

# Alucan

Alucan produces aluminium profiles and accessories so that the professional installers can manufacture the windows, doors and the rest of the closings in the buildings.

We facilitate the work of the architects by collaborating in the project memories and assessing about the applied regulation. Both in the writing phase: where the required demands for the compliance of the CTE are defined; as well as in the management phase where, through the CE marking facilitated by the installer, it is verified that the specifications are being fulfilled.



## AL-67 RPT

AL-67 is a window/door system with a 67,4 mm frame available also in turn & tilt version with 1 or 2 sashes.

This system admits a glazing up to 56 mm.

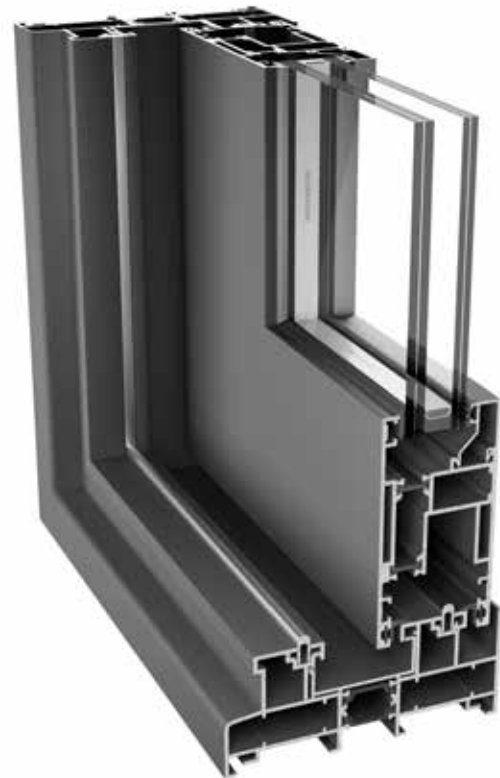
The RPT technology is developed with a 24 mm polyamide designed by Technoform.

Possibility of placing internal shutters integrated in the sashes.

**More information and downloads at:**

[www.alucansa.com](http://www.alucansa.com)  
[www.bimetica.com](http://www.bimetica.com)  
[www.technoform.com](http://www.technoform.com)





## AL-14 RPT

AL-14 is a sliding system with an 83 mm frame and designed to bear a maximum weight of 400 Kg per sash.

This system supports glazing up to 29 mm.

The AL-14 benefits from the Technoform thermal break with a 15/25 mm polyamide 6.6, reinforced with 25% fibreglass.

Available in painted, anodized and wood effect versions.

## AL-126 RPT

AL-126 is a lift & sliding system with of 125 mm frame, designed to bear a maximum weight of 400 Kg per sash.

This system accepts glazing up to 39 mm.

This lift & slide system uses a Technoform reinforced 6.6 polyamide both in the frame and in the sliding sash to ensure the correct thermal behaviour.

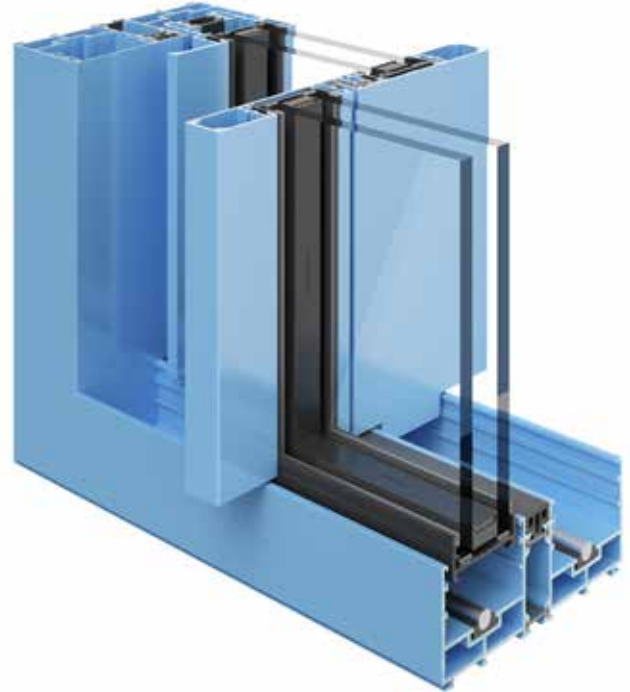
Leaf and flat jonquil, perimeter cut in leaf and frame.

# RCN

RCN is a company dedicated to the creation, development, production and installation of Aluminum Systems with Glass for architecture, innovators in design and functionality.

The main goal is to become a benchmark in the industry, implementing a differentiating concept that encompasses the management and control of all stages of the process from the creation, development, production and installation of innovative glass frame systems.

RCN's mission is to differentiate in the development, innovation and creation of Innovative Aluminum Systems with glass for architecture.



## EXP-C BI

The series EXP-C of RCN Aluminium is one of the most complete minimal systems.

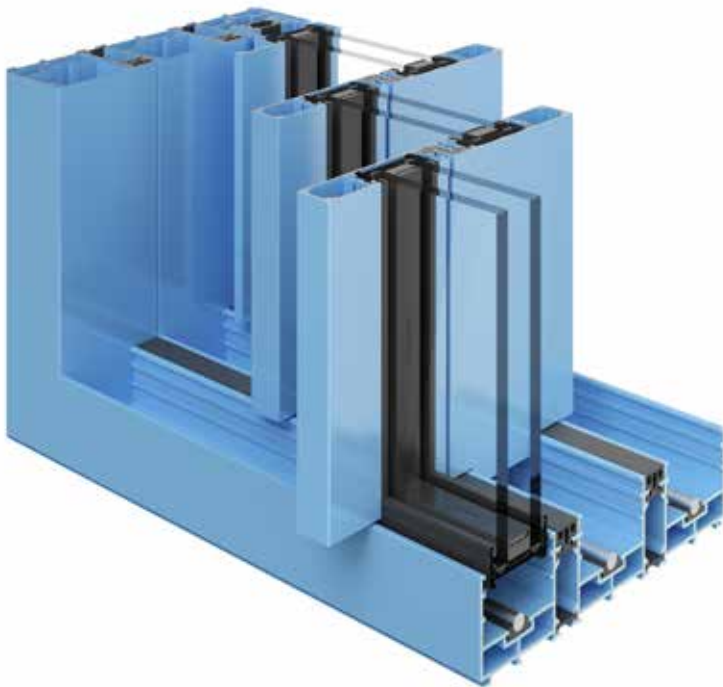
This system can reach a transparency close to the 98%.

Can support a weight of glass up to 600 Kg per slider.

The series EXP-C BI has been possible thanks to the design of an special polyamide by Technoform.

**More information and downloads at:**

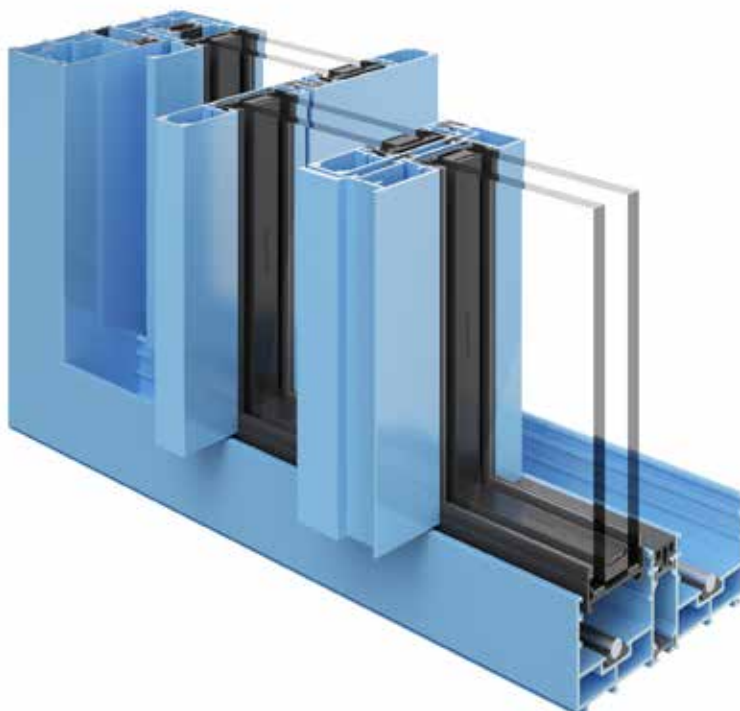
[www.rcn-aluminium.com](http://www.rcn-aluminium.com)  
[www.bimetica.com](http://www.bimetica.com)  
[www.technoform.com](http://www.technoform.com)



## EXP-C TRI

The series EXP-C continues with the version with 3 sliders.

EXP-C can be adapted to multiple situations having the possibilities like corners or fixed sash.



## EXP-C FOUR

Version with 4 sliders, is the biggest one of the range.

There is also the possibility of curved window.

The glass thickness comes from a depth of 32 mm up to 36 mm.

For any variant, Technoform polyamide is an essential part of this system.

# Mediterráneo

Mediterráneo's history begins in Murcia in 1980 and with the premise of providing the service of distribution of aluminium profiles and accessories for the aluminium fabricator sector.

The concern for innovation and the constant business vision of expanding the services offered to customers together with the improvement of production processes to achieve higher quality, contribute to a constant growth of the company.

Mediterráneo incorporates into its catalogues new series with greater performance and versatility, achieving with this lifting system the benefits of a folding series.



## Insignia P65 RPT

Insignia is the flagship of the company Mediterráneo Aluminio Técnico.

Can be offered with a depth of 60 and 90 mm.

There are the modalities of turn and tilt and hidden sash and can accept a glass up to 55 mm depth.

Technoform is inside the Insignia throughout - polyamides of 28 mm that improve the U value of the system.



**More information and downloads at:**

[www.mediterraneoaluminio.es](http://www.mediterraneoaluminio.es)  
[www.bimetica.com](http://www.bimetica.com)  
[www.technoform.com](http://www.technoform.com)



## Technica C75 RPT

Technica C75 RPT is the sliding system with a depth from 60 mm up to 121 mm.

This system can be offered in 2, 3, 4 or 6 sliders with frames with 3 grooves.

Technica can accept glass up to 28 mm.

Inside Technica there are four polyamides of Technoform that ensure an optimal insulation.

# Mediterráneo



## Omega P52 RPT

Omega P52 RPT has been designed for the mediterranean area offering a good balance between thermal behaviour and economy.

With a depth of 52 mm the Omega P52 RPT is assembled with hardware in both aluminium profiles giving to it a good consistency.

With modalities of depth in 52 and 77 mm Omega can accept glass with a weight up to 40 mm.

Inside the Omega P52 RPT you can find the reliable Technoform polyamide.



## Magna C100 RPT

Magna C100 RPT is the lifting slider of Mediterraneo Aluminio Technico.

With a depth of frame from 85 mm up to 160 mm can support a glass weight up to 200 Kg.

This system allows a glazing up to 36 mm.

Magna C100 RPT has a good thermal performance thanks to the Technoform polyamides inside.

**More information and downloads at:**

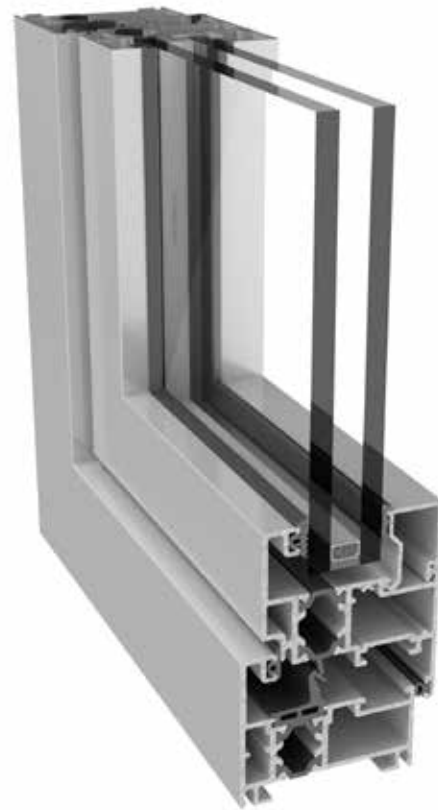
[www.mediterraneoaluminio.es](http://www.mediterraneoaluminio.es)  
[www.bimetica.com](http://www.bimetica.com)  
[www.technoform.com](http://www.technoform.com)

# Aluar

Throughout its 40 years of life, Aluar maintained its vision and historical identity, expanding its activities to achieve a high degree of vertical integration in the production and marketing chain of aluminium, both downstream with the production of extruded and laminated as upstream in the production and transport of electrical energy.

Aluar Division Elaborated develops the fabrication systems of greater performance of the architecture and construction market.

Aluar products embellish the facades, improve the daily relationship of people with the environment, outline the leadership of the best ventures and are the product of a permanent search to overcome the most rigorous standards in all its processes.



## A40 RPT

The new system A40 RPT, developed with a renewed aesthetic design of straight edges continuing with the line of design of the latest developments of Aluar.

Both frame and sash are formed by two profiles mechanically linked by Technoform polyamide thermal break.

This system reduces the internal and external thermal conductivity and prevents energy losses and condensation.

A40 RPT provides excellent hermeticity and thermal-acoustic insulation. The system supports the realization of sliding doors and windows with frame and sashes with 45 ° cutting.

**More information and downloads at:**

[www.aluar.com.ar](http://www.aluar.com.ar)  
[www.bimetica.com](http://www.bimetica.com)  
[www.technoform.com](http://www.technoform.com)

# Sosoares

Sosoares, with more than 15 years of history, is one of the system designers more recognized in Portugal.

Sosoares has been positioned as a high standard system designer being able to offer special solutions to any architectural challenge.

In its product catalogue, the range of systems go from the higher efficiency turn and tilt ST system up to the OS minimal system.

Sosoares has its own production capacity including aluminium extrusion to the glass fabrication.



## Sistema ST

System ST of Sosoares is one of the most known in South Europe in the range of high-performance window.

The ST system was designed to meet the needs of great comfort.

ST is a 71 mm opening system available both with European and C16 closing, and allows a glazing between 19 mm and 58 mm.

This system has inside a Technoform thermal break made with reinforced 6.6 polyamide 39 mm for the frame and 35 mm for the sash to ensure the correct thermal behaviour.

**More information and downloads at:**

[www.grupososoares.pt](http://www.grupososoares.pt)  
[www.bimetica.com](http://www.bimetica.com)  
[www.technoform.com](http://www.technoform.com)





## Sistema OS

The minimalist sliding system rose as an answer to new architectural trends intending to combine the maximum transparency with the minimum structural sight.

System OS is the minimalist sliding system with thermal break of Sosoares.

Developed thanks to Technoform technology, OS benefits of a tailor made "u" profile of polyamide directly sticked over the edge bond of the glazing.

It allows a glazing between 32 mm and 56 mm.

# Sosoares



## Sistema LT

Concealed LT was created to answer designer's requests. This variant of LT has come to fill a gap in the minimalist series of OS sliding, making it now possible to coordinate the sliding system with this jamb system, maintaining architectural lines coherent.

The LT isothermic system has been designed to provide great comfort. The combination of this system with selective triple panes offers high thermal and/or acoustic break.

LT is an opening system with a frame of 67 mm, available both with European and C16 closing, and allows a glazing between until 53 mm.

This system has inside a Technoform thermal break made with reinforced 6.6 polyamide 24 mm to ensure the correct thermal behaviour.

## Sistema IT

Reflexing of improving to the jamb systems arises the IT system with an intermediate section of 56 mm.

IT was developed with the aim to offer an excellent solution to works of current range, with an improved thermal and acoustic performance while maintaining the competitive factor.

IT is an opening system with a sash of 63 mm, available both with European and C16 closing, and allows a glazing between until 43 mm.

This system has inside a Technoform thermal break made with reinforced 6.6 polyamide 24 mm for the frame and 20 mm for the sash to ensure the correct thermal behaviour.



## Barandilla AV

Endowed with sublime elegance, the new aluminium and glass railing system AV follows on the minimalist lines oriented to the modern architecture where aesthetic rules.

From simple design, the system seeks to respond to current architectural trends regarding the functionality and structural security that are required.

Available with laminated or laminated – tempered glass.

**More information and downloads at:**

[www.grupososoares.pt](http://www.grupososoares.pt)  
[www.bimetica.com](http://www.bimetica.com)  
[www.technoform.com](http://www.technoform.com)

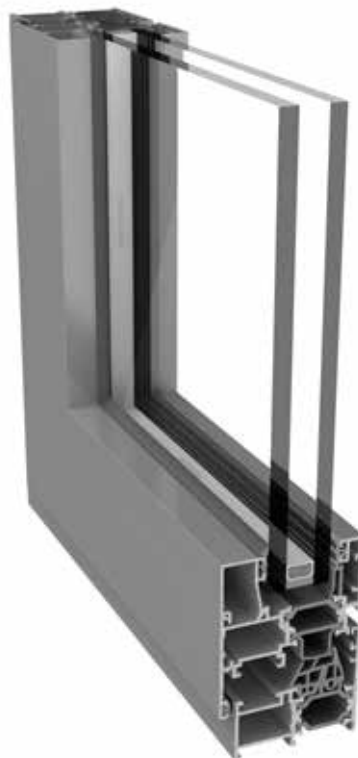
# Alugom

Alugom Group, located at the Madrid region, is one of the most recognised system designers in the country.

It has its own production plants that include extrusion, painting and anodizing.

Alugom Group is characterised for the quality of its windows and doors systems, amongst which it can be highlighted in the ALG range that covers from 55 to 75 mm.

Alugom Group's technical department stands out for its capacity to develop special solutions. This is shown in all the unique projects they have been involved in.



## ALG 55 Estándar

System with a 55 mm frame and a 62 mm sash, with different possibilities of opening. Available with European or C16 closing system.

Allows a glazing up to 33 mm.

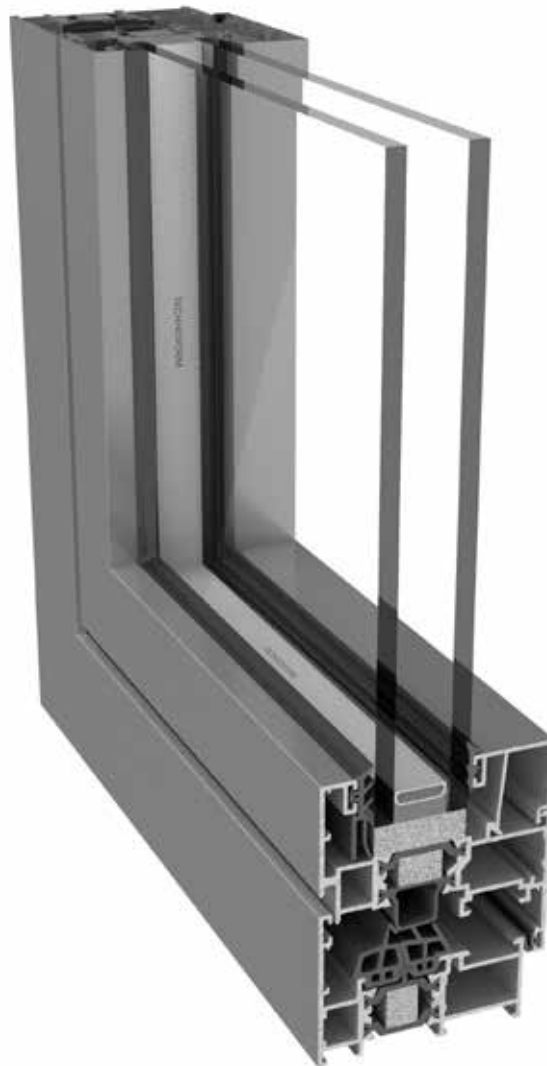
The "ALG" system allows increase in its thermal and acoustic performance, converting itself into an HQ System, by means of insulating foam material that are introduced in the interpolyamidal chambers, and in the base of the glazing and the frame.

This system uses a Technoform thermal break of 26 mm polyamide 6.6 for the frame and 24 mm for the sash, reinforced with 25% fibreglass.



**More information and downloads at:**

[www.alugom.es](http://www.alugom.es)  
[www.bimetica.com](http://www.bimetica.com)  
[www.technoform.com](http://www.technoform.com)



## ALG 65 Óptima

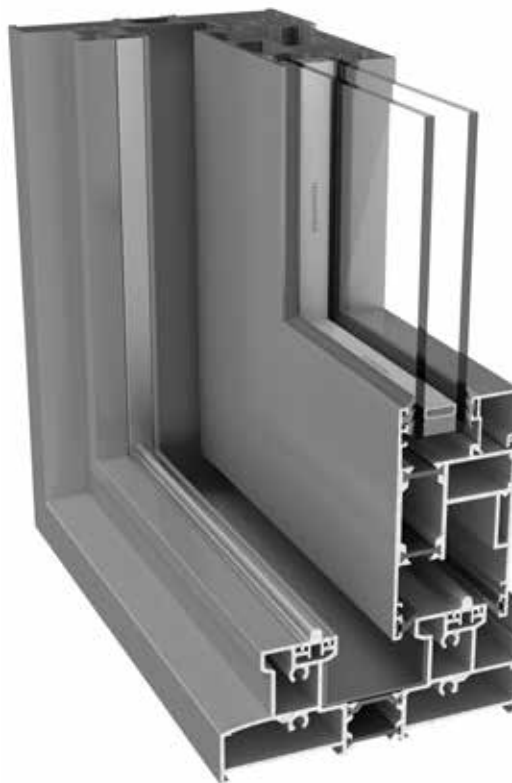
Three-chamber folding fabrication with Technoform thermal break for both doors and windows for high performance of thermal and acoustic insulation.

Designed with a frame and a sash with depth of 65 and 72 mm respectively with more opening possibilities.

Available with European or C16 closing system.

Possibility of bicolour treatments, with different interior and exterior colours.

# Alugom



## ALG 75 Máxima

Three-chamber folding fabrication with Technoform thermal break for doors and windows; with a robust design, great versatility and high thermal insulation, since it is assembled with polyamides of 34 and 37 mm.

Frame and sash with a depth of 75 and 82 mm respectively. This system allows all kinds of casement openings both inside and outside.

It allows glazing up to 53 mm, enabling to realize large windows to improve the comfort and the luminosity of the interior environment.

Thermal break with polyamide 6.6 of 34 mm for the frame and 37 mm for the sash, reinforced with 25% fibreglass.

## Matra 135 RPT

Matra 135 has a frame and sash with a depth of 135 mm and 53 mm respectively. This system has frames of one (monorail with fixed side), two and three lanes.

The sash allows the installation of a maximum glazing of 44 mm.

Thermal break with polyamide 6.6 of 24,8/20 mm for the frame and 18 mm for the sash, reinforced with 25% fibreglass.

**More information and downloads at:**

[www.alugom.es](http://www.alugom.es)  
[www.bimetica.com](http://www.bimetica.com)  
[www.technoform.com](http://www.technoform.com)

# Alcar

Located in the region of Zaragoza, Alcar is the company that develops and designs aluminium windows and doors systems for the company Grupo Inalsa. Within the group, there is also the extrusion leader company Inalsa and Anesa, dedicated to the aluminium treatment with painting and anodizing.

Both Inalsa, with nearly 60 years of history, and Alcar, with 45, are among the most solvent companies in the market with windows and doors systems with proven history.

Grupo Inalsa is known for the commitment to quality both at the production processes and at the windows and doors systems. They also have a large external projection.



## AE0949

AE0949 is the pioneering high-performance system in the south of Europe with proved solvency.

With a depth of 75 mm, the system AE0949 can be assembled in tilt and turn and tilt version.

Sash can be offered with the modalities in straight aluminium or curved.

The polyamide design was taken on by Technoform to reach the best thermal performance

**More information and downloads at:**

[www.grupoinalsa.com](http://www.grupoinalsa.com)  
[www.bimetica.com](http://www.bimetica.com)  
[www.technoform.com](http://www.technoform.com)



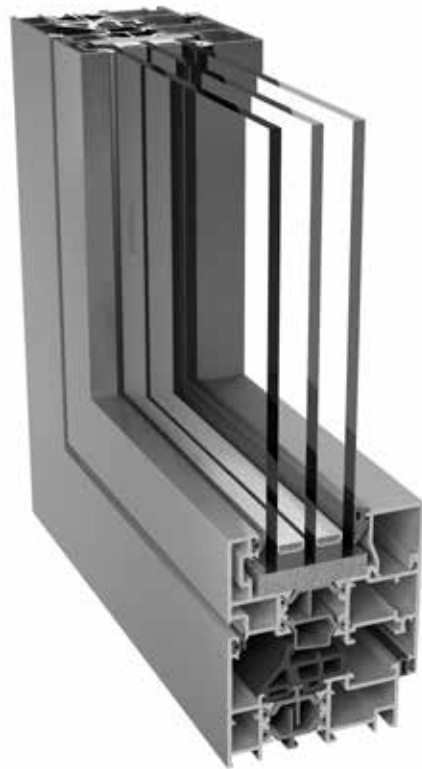
# Extrual

Extrual is a company located in the region of Albacete and it is one of the advanced window systems available on the national market.

The quality of its products is highly recognized in the market being one of the referent companies in the sector.

Extrual has its own production plant that includes extrusion, painting and anodizing as well as a technical department able to face the most challenging developments.

Extrual has a wide catalogue that goes from sliding and turn and tilt options up to curtain walls.



## E-65

Casement window system with a 65 mm frame and a 72 mm sash.

E-65 allows glazing up to 50 mm.

This window system is available in the 1 sash and tilt and turn version: width 1.700 mm - high 2.700 mm.

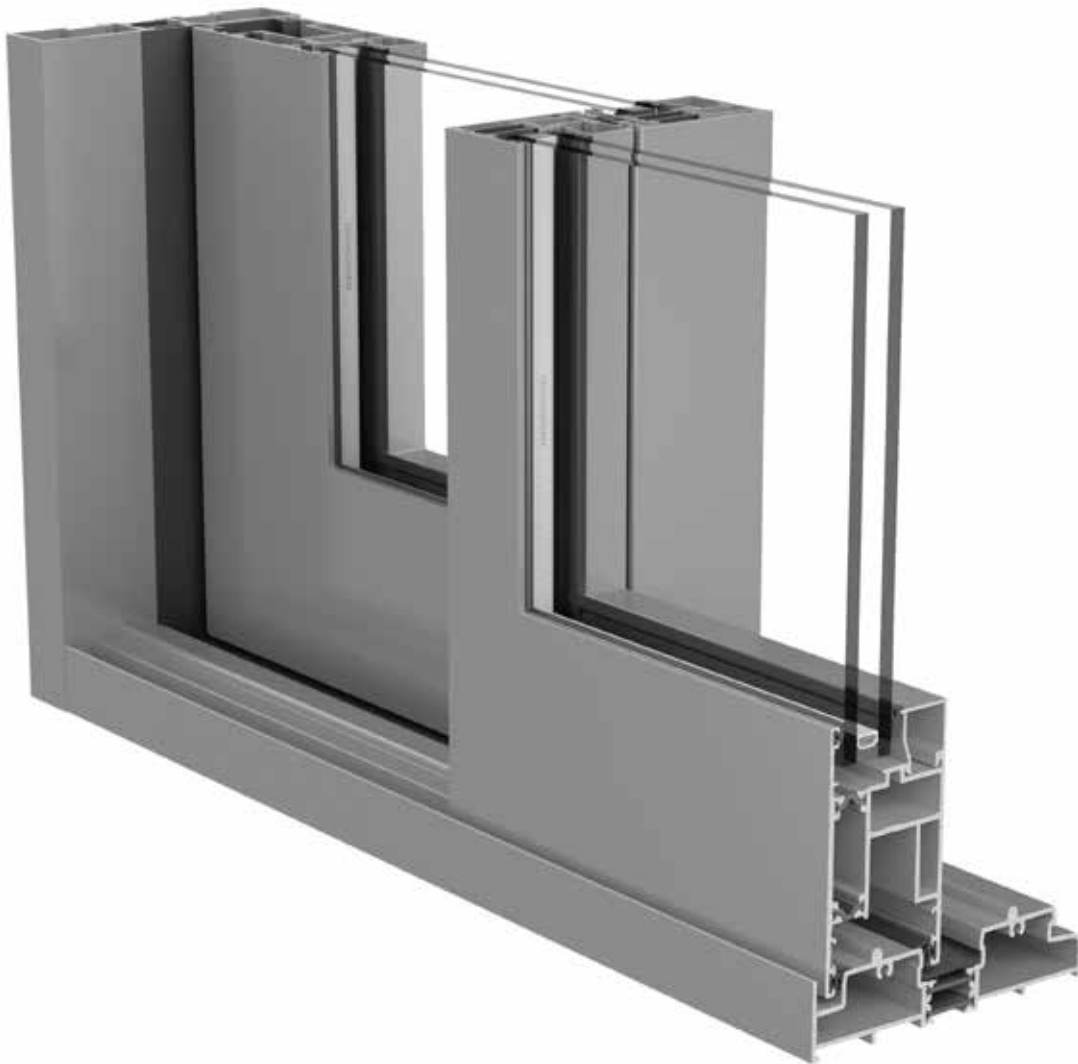
It can bear a maximum weight of 170 Kg.



**More information and downloads at:**

[www.extrual.com](http://www.extrual.com)  
[www.bimetica.com](http://www.bimetica.com)  
[www.technoform.com](http://www.technoform.com)





## E-60 RPT

Sliding and lifting system with a 134 mm frame and 2 rails or 199 mm and 3 rails. The sash is 54,5 mm wide.

It allows a glazing up to 40 mm.

Sash width 4.200 mm, high 3.325 mm.

It can bear a maximum weight of 400 Kg.

# Extrual



## E-75

Sliding system with 79 mm frame with 2 rails or 127 mm with 3 rails, 32 mm sash.

It allows a glazing up to 26 mm.

Maximum weight per sash: 160 Kg.

Possibility of bicolour, painted in colours and with wood effect, anodized.



## E-75 HO

Hidden sash window system with a 75 mm frame and 75 mm hidden sash.

It allows a glazing up to 38 mm.

Window 1 sash, tilt-and-turn: width 1.700 mm - high 2.700 mm.

Maximum weight: 170 Kg.



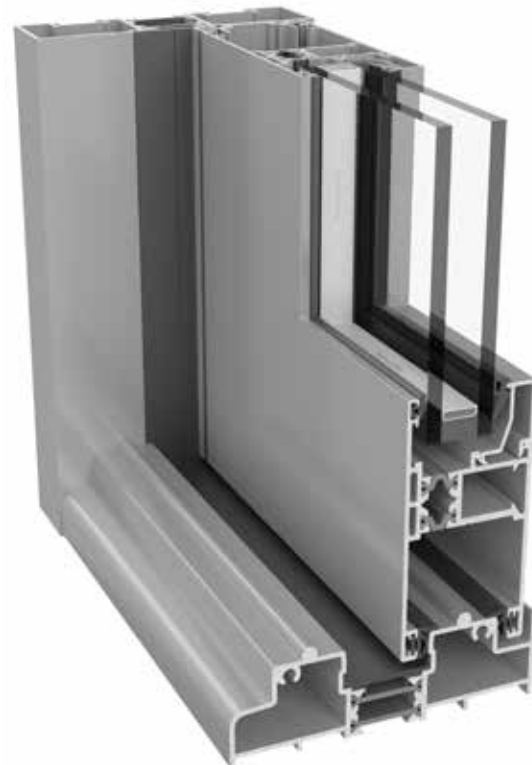
## E-75 P

Casement window system with a 75 mm frame and a 82 mm sash.

It allows a glazing up to 60 mm.

Window 1 sash, tilt-and-turn: width 1.700 mm - high 2.700 mm.

Maximum weight: 170 Kg.



## E-80 RPT

Sliding and lifting system with a 70 mm frame and 2 rails or 122 mm and 3 rails. The sash is 42 mm wide.

It allows a glazing up to 30 mm.

Sash width 2.400 mm, high 3.325 mm.

Maximum weight: 200 Kg.

**More information and downloads at:**

[www.extrual.com](http://www.extrual.com)  
[www.bimetica.com](http://www.bimetica.com)  
[www.technoform.com](http://www.technoform.com)

# Alba Pro System

In 1988 started its activity with great enthusiasm and with a clear goal that was to cover the commercial needs of its clients.

Today, over the years, they have managed to be a company with a large presence in the aluminium fabrication market. But all this was achieved thanks to the efforts of its team and the great collaboration and support they got from their customers.

The reflection of this effort and that collaboration is the big range of products.



## Alba 65 RPT

Casement window system with a 65 mm frame and 72 mm sash.

It allows a glazing up to 50 mm.

Available both with European and C16 opening system.

This system uses a Technoform thermal break made of polyamide 6.6 reinforced with 25% fibreglass.



**More information and downloads at:**

[www.albaprossystemarquitectura.com](http://www.albaprossystemarquitectura.com)

[www.bimetica.com](http://www.bimetica.com)

[www.technoform.com](http://www.technoform.com)



## Alba 70 RPT

Sliding system with a 70 mm smooth frame and 70 mm sash with alignment using stainless steel brackets.

It allows a glazing up to 24 mm.

This system uses a Technoform thermal break made of polyamide 6.6 reinforced with 25% fibreglass.

Interchangeable lower rail.

# Alba Pro System



## Alba 75 RPT

Casement window system with a 75 mm frame and 82 mm sash.

It allows a glazing up to 60 mm.

Available both with European and C16 opening system.

This system benefits of Technoform thermal break made of polyamide 6.6 reinforced with 25% fibreglass.



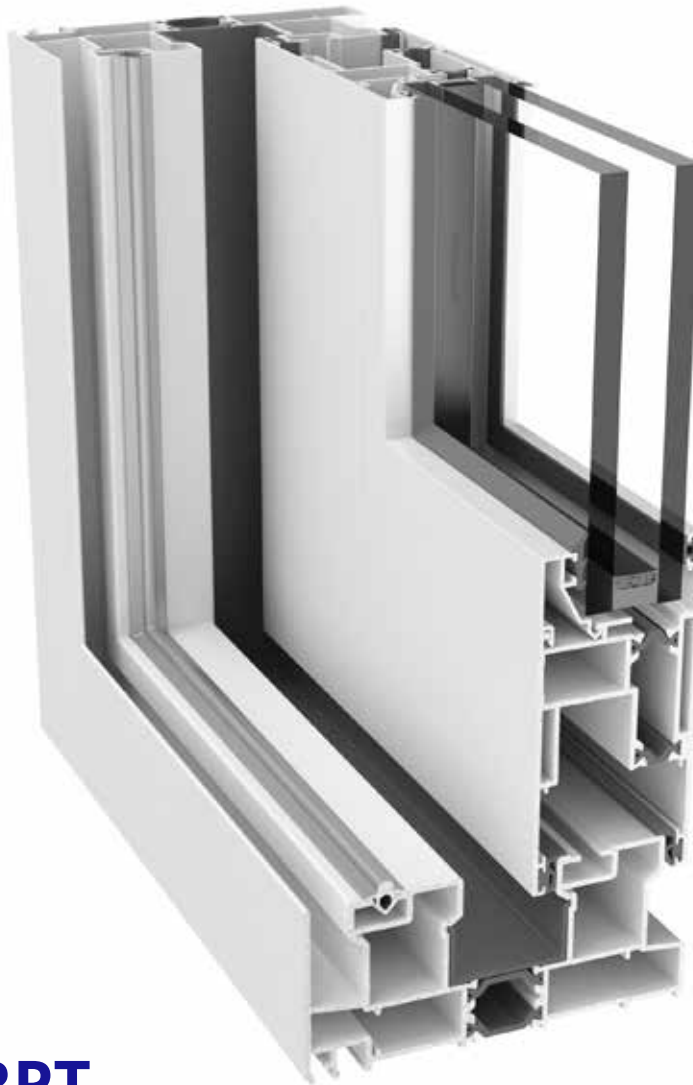
## Alba 80 RPT

Sliding system with an 80/85 mm smooth frame and 80 mm sash with alignment using stainless steel brackets.

It allows a glazing up to 30 mm.

Technoform polyamide is an essential part of this system.

Possibility of bi-colour finish.



## Alba 120 RPT

Sliding and lifting system with a 120 mm frame and 50 mm perimeter sash with jonquils.

It allows a glazing up to 38 mm.

High thermal performances thanks to Technoform polyamide.

Lifting hardware up to 250 Kg maximum load per sash.

**More information and downloads at:**

[www.albaprossystemarquitectura.com](http://www.albaprossystemarquitectura.com)

[www.bimetica.com](http://www.bimetica.com)

[www.technoform.com](http://www.technoform.com)

# QSystems

The Break Systems group is born from the union of several independent warehouses, with a great experience in the market, who seek to provide new solutions to the current carpentry systems that their current network of workshops demanded them, new quality products that allow them to comply with the maximum demands but at a very competitive price, with a wide diversity of architectural solutions that allow us to meet any need that the current regulations or our customers demand from us in any of our series casement, sliding, lift/sliding, door, lattices, railings or curtain walls.



## Q57

The Q57 series is composed of a 50 mm tubular frame and 57 mm tubular sash, both with interior and exterior opening, which combines aesthetic design and energy efficiency at a moderate price.

The limited width of the system allows its application in various constructions, even with reduced wall thicknesses.

The Q57 series is a system with thermal break made of Technoform polyamide 6.6 reinforced with 25% fibreglass.

The Q57 series can enhance various types of environment, which require a light of medium or small intensity.

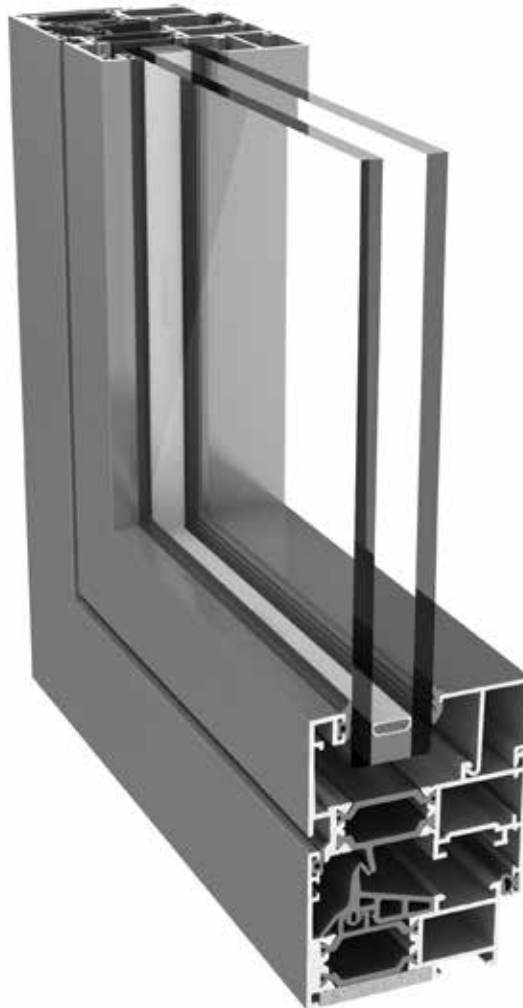
**More information and downloads at:**

[www.qsystemsaluminio.com](http://www.qsystemsaluminio.com)

[www.bimetica.com](http://www.bimetica.com)

[www.technoform.com](http://www.technoform.com)





## Q67

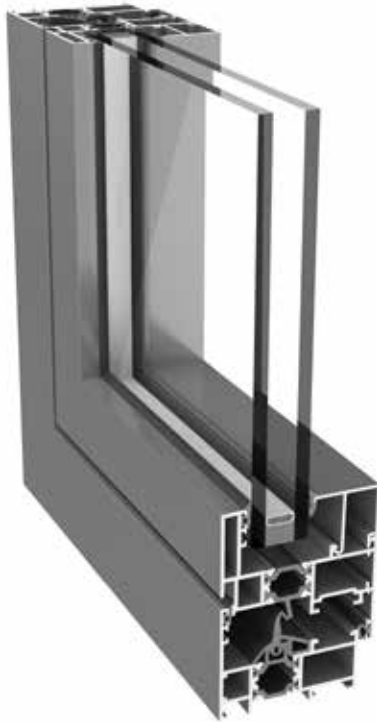
The Q67 series is composed of a 60 mm tubular frame and 67 mm tubular sash, both with interior and exterior opening, which was born with the aim of satisfying the needs of a certain market segment of an economic, simple and versatile carpentry with high thermal and acoustic performance.

It is a very complete system, even for large windows, it is the ideal way to live surrounded by design and well-being.

The Q67 series benefits of Technoform polyamide 6.6 reinforced with 25% fibreglass.

The frame allows a glazing unit width from 12 mm to 46 mm.

# QSystems



## Q67+

The Q67+ series is composed of a 60 mm tubular frame and 67 mm tubular sash, both with interior and exterior opening with 3 chambers for connections.

The width of the system allows its application in various constructions. The Q67+ series can enhance various types of environment, which require a light of medium or moderate intensity.

The Q67+ series benefits of Technoform polyamide 6.6 reinforced with 25% fibreglass.

The frame allows a glazing unit width from 12 mm to 46 mm.



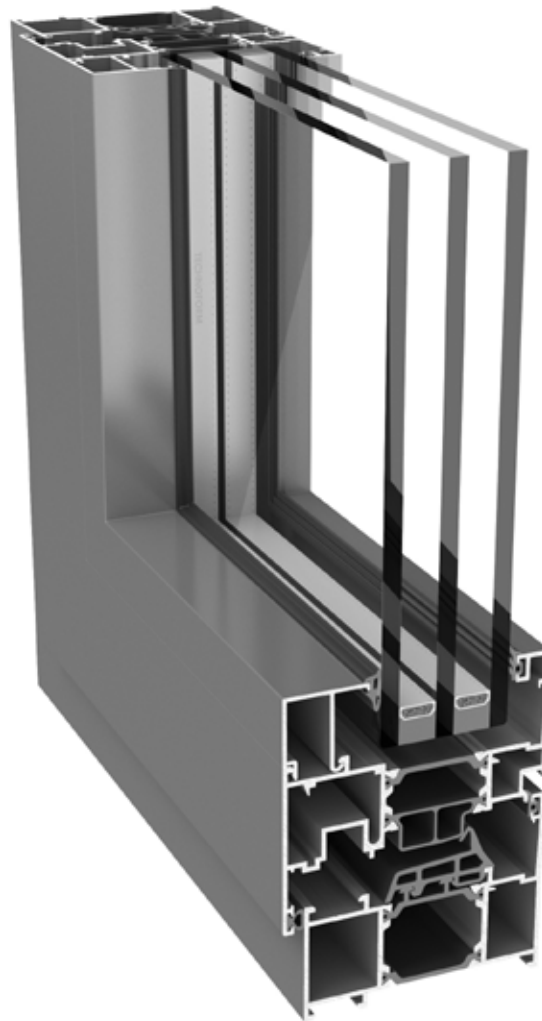
## Q77+

One of the newest window systems, Q77+ is the result of an improved thermal behaviour combined with logical design.

With a depth of 60 mm Q77+ is the one of the most advanced systems in his range.

Q77+ allows glazing up to 56 mm accepting a very important range of glazing.

Q77+ have inside the core Technoform polyamide that gives to the system the correct thermal performance.



## Q87 C16

The Q87 C16 series is a casement window system with thermal break made of Technoform polyamide 6.6 reinforced with 25% fibreglass.

Composed of a 80 mm tubular frame and 87 mm tubular sash, both with interior and exterior opening, which combines aesthetic design and energy efficiency at a moderate price.

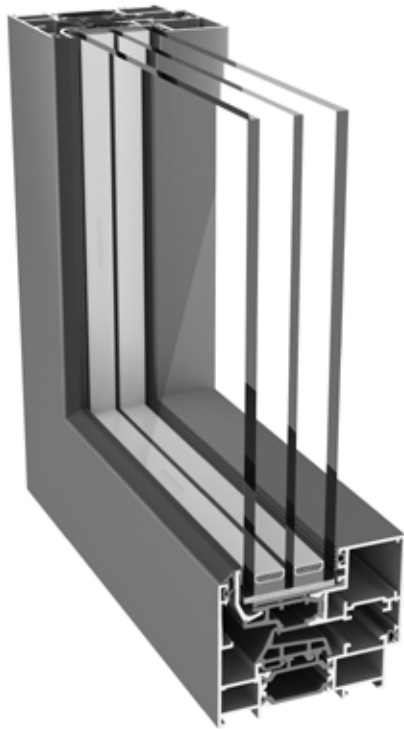
The limited width of the system allows its application in various constructions, even with reduced wall thicknesses.

The Q87 C16 series can enhance various types of environment, which require a light of medium or small intensity.

**More information and downloads at:**

[www.qsystemsaluminio.com](http://www.qsystemsaluminio.com)  
[www.bimetica.com](http://www.bimetica.com)  
[www.technoform.com](http://www.technoform.com)

# QSystems



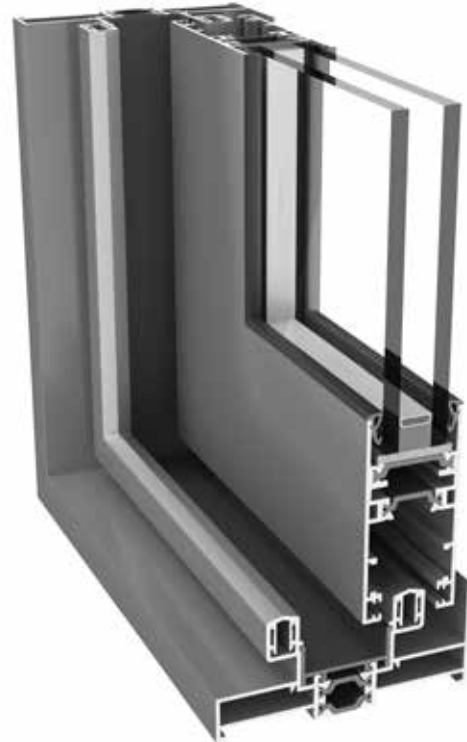
## Q87 HO

The Q87 HO series is a hidden sash window system with thermal break made of Technoform polyamide 6.6 reinforced with 25% fibreglass.

Composed of 80 mm tubular frame and 87 mm tubular sash, both with interior and exterior opening, which combines aesthetic design and energy efficiency at a moderate price.

The limited width of the system allows its application in various constructions, even with reduced wall thicknesses.

The Q87 HO series can enhance various types of environment, which require a light of medium or small intensity.



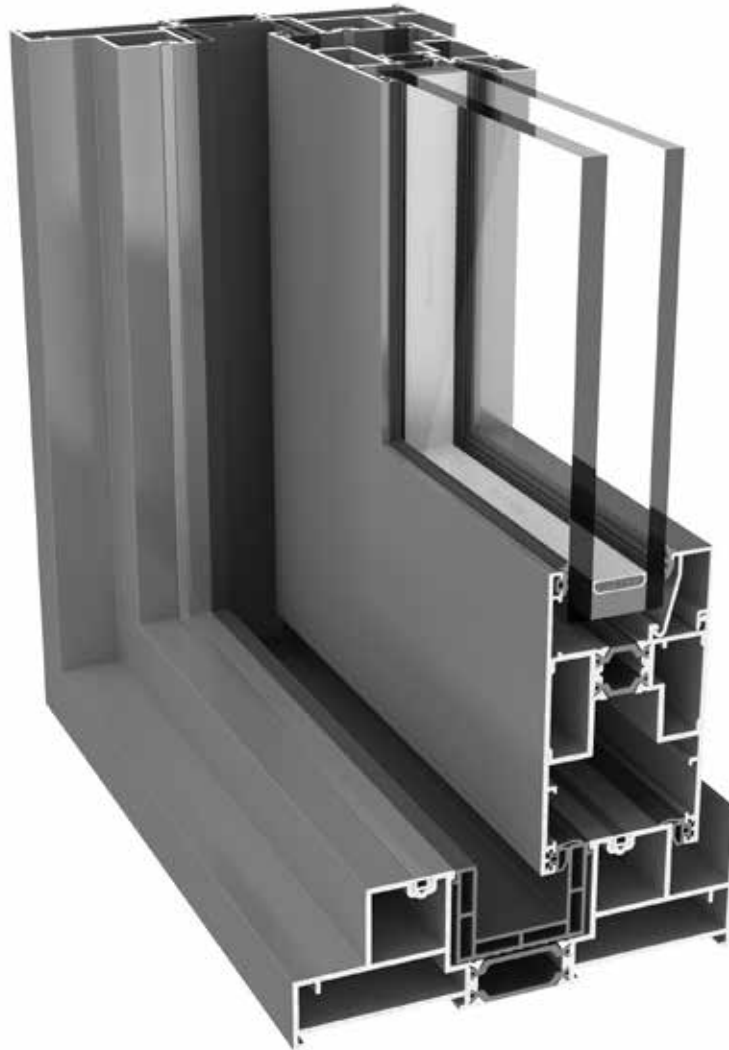
## Q95

The Q95 sliding system is composed of perimeter frames of 70, 80 and 95 mm, frames with a 95 mm end or with a built-in guide of 130 and 155 mm. Perimetral sash of 35 mm thickness.

Versatile system with multiple perimeter frames and possibility of head or perimetral sash. Of great lightness, incredible durability and good insulation performance thank to Technoform thermal break made off insulating polyamide 6.6 reinforced with 25% fibreglass.

It is recommended for sliding windows of medium and small dimensions, such as balconies or galleries.

The frame allows a glazing unit with perimeter joint from 18 to 30 mm thickness.



## Q150

The Q150 series is a latest-generation lift & slide system designed for large glazed surfaces, capable of giving the environment the greatest luminosity and transparency. With two, three, four, up to six sashes, to overcome any dimension limit.

It is composed by tubular frame of 150 mm, tubular frame of 217 mm in three rails and 55 mm tubular sash.

It offers an excellent thermal and acoustic insulation performance that translates into greater energy savings and better residential comfort. All this is possible by integrating Technoform polyamide inside its profiles. In this case was used a 34 mm wide bar for frames and a 18 mm wide in the sashes.

The frame allows a glazing unit from 6 to 40 mm thickness.

**More information and downloads at:**

[www.qsystemsaluminio.com](http://www.qsystemsaluminio.com)  
[www.bimetica.com](http://www.bimetica.com)  
[www.technoform.com](http://www.technoform.com)

# Itesal

With more than 20 years of experience in the market, Itesal, company located in the region of Zaragoza, has one of the more solid windows and doors systems lines.

Itesal has its own production site with the capacity to extrude, paint and anodize as well as a large commercial presence.

Itesal's product range consist of everything from sliding to tilt and turn - as well as curtain walling and other specific products.

Itesal has both, European chamber as well as a 16 channel, therefore offering the customers a great range of solutions.



## IT-61 RPT

Casement window system with 61mm frame and 68 mm sash.

It allows a glazing up to 48 mm.

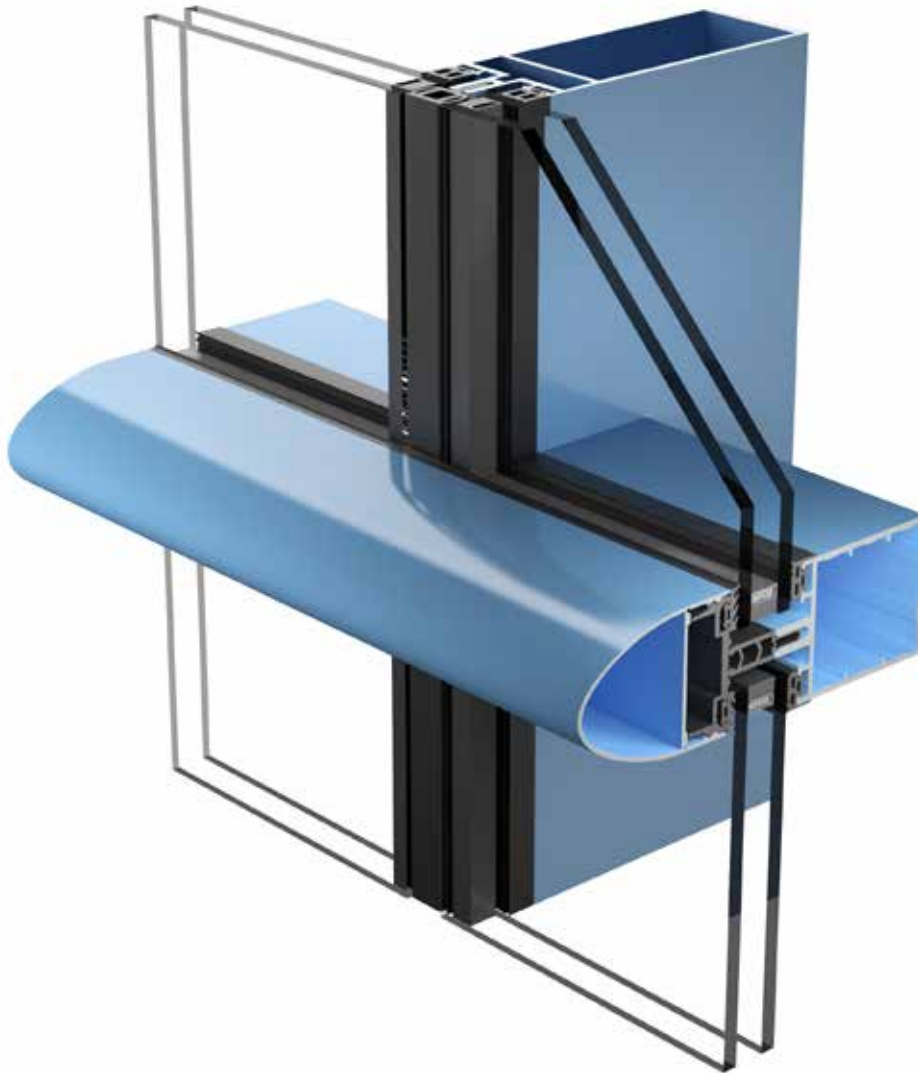
Thermal break with 24 mm polyamide 6.6 in "c" profiles, reinforced with 25% fibreglass.

Insulation foam between the polyamide profiles.



**More information and downloads at:**

[www.itesal.es](http://www.itesal.es)  
[www.bimetica.com](http://www.bimetica.com)  
[www.technoform.com](http://www.technoform.com)



## IT-50-MC Trama

Façade system with glass and panels mechanically fastened to the supporting structure by means of clips placed directly into the insulating glass spacer.

It allows a glazing up to 34 mm.

Technoform thermal break with 24 mm polyamide 6.6 in "c" profiles, reinforced with 25% fibreglass.

Closing between glasses in vertical joint with silicone or epdm.

# Itesal



## IT-61 CR EVO

Windows and sliding doors system with thermal break, easy construction, great robustness and modern design, with excellent thermal and mechanical performance.

Casement window system with 61 mm frame and 40,5 mm sash.

It allows a glazing up to 30 mm.

Frame with hidden drains and large capacity of the drain channel.



## IT-65 RPT

Casement window system with 65 mm frame, 74 mm sash.

It allows a glazing up to 46 mm.

Technoform thermal break with 24 mm polyamide 6.6, reinforced with 25% fibreglass.

Central joint in EPDM.





## IT-72 HO RPT

Hidden sash window system with 72 mm frame and 72 mm hidden sash.

It allows a glazing up to 48 mm.

Technoform thermal break with polyamide 6.6 of 34 mm for the frame and 43 mm for the sash, reinforced with 25% fibreglass.

Frame and sash assembly with extruded bracket.



## IT-75 RPT

Casement window system with 75 mm frame and 84 mm hidden sash.

It allows a glazing up to 61 mm.

Technoform thermal break with 34 mm polyamide 6.6, reinforced with 25% fibreglass.

Insulation foam between the polyamide profiles.

**More information and downloads at:**

[www.itesal.es](http://www.itesal.es)  
[www.bimetica.com](http://www.bimetica.com)  
[www.technoform.com](http://www.technoform.com)

# Itesal



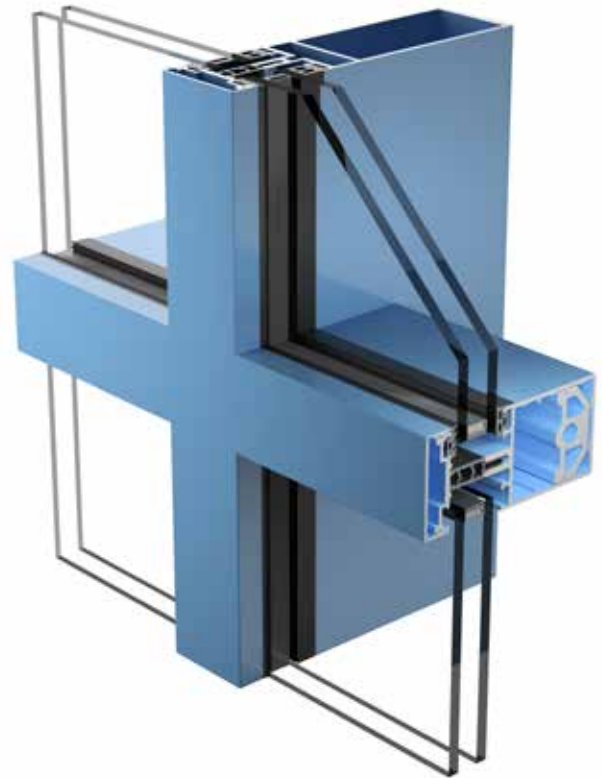
## IT-128 ELV

Lift & slide thermally broken system suited for big dimension and weight, up to 440 Kg, with the hardware recommended by Itesal.

128 mm frame, 57 mm sash.

Technoform thermal break with polyamide 6.6 of 18,6 mm for the frame and 24 mm for the sash, reinforced with 25% fibreglass.

Mitre joint with bolt and eccentric bolt bracket.



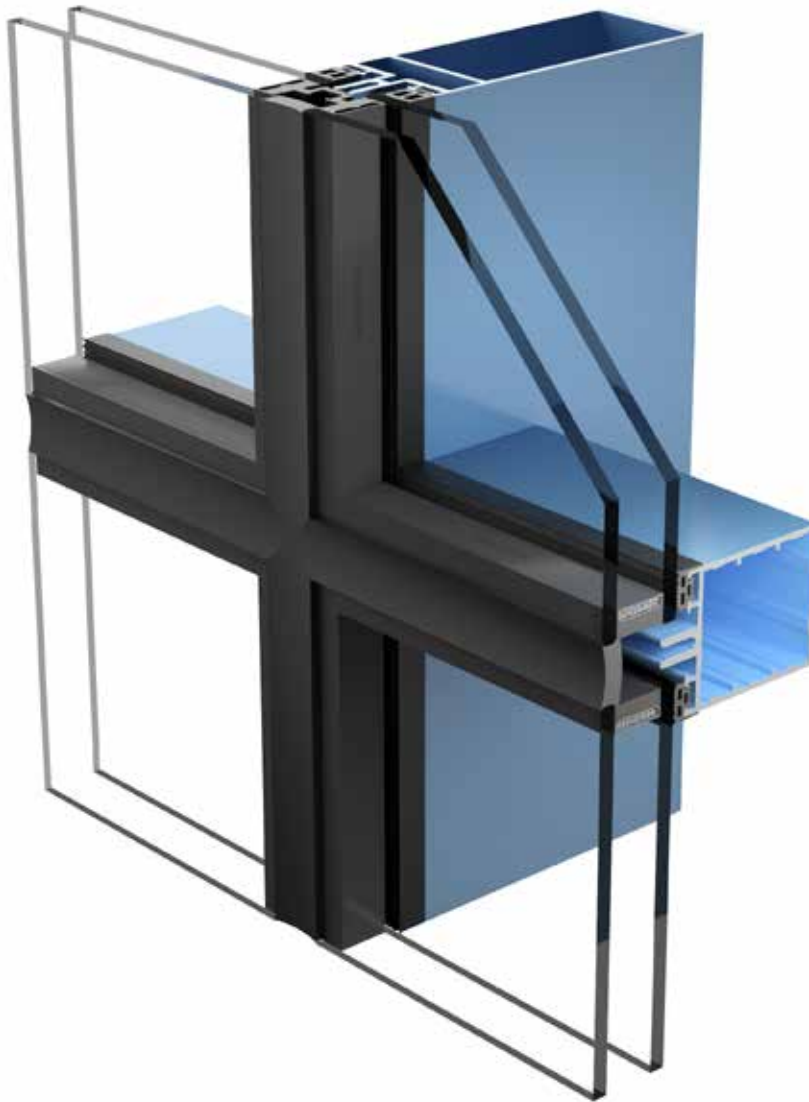
## IT-50-MC Tapeta

Façade system with 50 mm mullions and transoms.

It allows a glazing up to 34 mm.

Projecting window concealed from the outside with minimized dark glazing area, and perimeter closure system with several points.

It allows to insert casement windows of the Itesal series or exterior projecting window of the system.



## IT-50-MC Estructural

Façade system with glass and panels mechanically fastened to the supporting structure by means of staples placed directly into the double glazing spacer or by means of a frame.

Profiles hidden by the exterior.

QUALICOAT SEASIDE quality seal for painted aluminium.

Anchoring system of M.C. to forged with three-dimensional regulation.

More information and downloads at:

[www.itesal.es](http://www.itesal.es)  
[www.bimetica.com](http://www.bimetica.com)  
[www.technoform.com](http://www.technoform.com)

# Centroalum

Located in Sabadell, in the area of Barcelona, Centroalum is a system house company founded in 1985 and with major activities in the Mediterranean area thanks to an important distribution network

Centroalum has a windows and doors systems catalogue designed internally that offers solutions to the most demanding market requirements.

Its wide product range include from turn and tilt systems to sliding options, either perimeter, 90 degrees or lift and slide.

The professional components of Centroalum as well as the quality of its products are the hallmarks of the company.



## Advand CO Elevable RPT 130

Lift & slide system with 132 mm frame and 54,5 mm sash.

It allows a glazing up to 44 mm.

RPT frame 24 mm, sash 14,8 mm, realised with Technoform polyamide 6.6 "C" profiles with 25% fibreglass.

This system has insulated injected foam between polyamides to improve its thermal performance.

**More information and downloads at:**

[www.centroalum.com](http://www.centroalum.com)  
[www.bimetica.com](http://www.bimetica.com)  
[www.technoform.com](http://www.technoform.com)



## **Renova CO** **RPT Elevable 100**

Lift & slide system with 103 mm frame and 42,5 mm sash.

It allows a glazing up to 31 mm.

RPT frame 24 mm, sash 12 mm, realized with Technoform polyamide 6.6 "C" profile with 25% fibreglass.

2 sashes window 2600x2200 mm.



## **Renova CO** **RPT Eficient**

Sliding aluminium system with thermal break to achieve great insulation.

2 rails frame of 70/80 mm, 3 rails frame of 129 mm.

It allows a glazing up to 28 mm.

Technoform thermal break with polyamide 6.6 of 24 mm for the frame and 32 mm for the sash, reinforced with 25% fibreglass.

# Centroalum



## Renova CO RPT Perimetral

Perimeter sliding aluminium system with 60/70 mm frame and 28 mm sash.

It allows a glazing up to 23 mm.

Great diversity of profiles to realize all imaginable combinations. Possibility of 3 or more rails.

Technoform thermal break with polyamide 6.6 of 12 mm for the frame and 25 mm for the sash, reinforced with 25% fibreglass.



## Renova PR RPT 45

Casement window system with 45/60 mm frame and 52,7 mm sash.

It allows a glazing up to 34 mm.

2 sashes window 1200x1200 mm.

RPT realized with a 14,8 mm polyamide 6.6 "C" profile, with 25% fibreglass designed by Technoform.



## Renova PR RPT 45 Inedit

Casement window system with 45 mm frame and 52 mm hidden sash.

It allows a glazing up to 25 mm.

RPT realized with a 14,8 mm polyamide 6.6 "C" profile, with 25% fiberglass designed by Technoform.

2 sashes window 1200x1200 mm.



## Renova PR RPT 55 C16

Casement window system with 55/70 mm frame and 78 mm sash.

It allows a glazing up to 44 mm.

Technoform RPT frame 24 mm, sash 22 mm, polyamide 6.6 bars "C" profile, with 25% fibreglass.

C16 closing system.

**More information and downloads at:**

[www.centroalum.com](http://www.centroalum.com)  
[www.bimetica.com](http://www.bimetica.com)  
[www.technoform.com](http://www.technoform.com)

# Centroalum



## Renova PR RPT 65

Casement window system with 65 mm frame and 72,3 mm sash.

It allows a glazing up to 54 mm.

Technoform RPT frame 24 mm polyamide 6.6 bars "C" profile, with 25% fibreglass.

Insulated injected foam between polyamides.



## Renova PR RPT 70 HO C16

Casement window system with 70 mm frame and 38 mm hidden sash.

It allows a glazing up to 28 mm.

Technoform RPT frame 28 mm, sash 37 mm, polyamide 6.6 bars "C" profile, with 25% fiberglass.

C16 closing system.





## Renova PR RPT 75 C16

Casement window system with 75 mm frame and 83 mm sash.

It allows a glazing up to 64 mm.

Technoform RPT frame 39 mm polyamide 6.6 bars "C" profile, with 25% fibreglass.

Highest thermal performances to fulfil the strictest Passive House requirements.



## Renova Ocultec

Door system specially designed for entrance doors to private homes.

Frame section available in 45/60/115 mm width.

Maximum safety: high-performance 3-point lock with security key, reinforced door hinges up to 120 Kg in weight with anti-lever bolt and laminated safety glass (depending on model).

The new panels designed for the integral door allow to create new and original designs.

More information and downloads at:

[www.centroalum.com](http://www.centroalum.com)  
[www.bimetica.com](http://www.bimetica.com)  
[www.technoform.com](http://www.technoform.com)

# Hydro B&C Applications

Hydro is the largest aluminium producer in the world with more than 140 manufacturing plants and sales around the world and dedicated to all markets that could use solutions in aluminium.

Hydro plays in a lot and different markets like automotive, Infrastructures, Energy, HVAC, Industrial Design or Transportation.

One of the market where Hydro is very active is in the Building and Construction being able to offer building profiles and tailored solutions to any company involved in the building market chain.



## Generic A10R

Casement window system with 45 mm frame and 52 mm sash.

Average thickness of 1.3 mm.

It allows a glazing from 8 mm to 29 mm.

This system uses a Technoform thermal break of 14,8 mm polyamide 6.6 for the frame, reinforced with 25% fibreglass.



**More information and downloads at:**

[www.hydroextrusions.com](http://www.hydroextrusions.com)  
[www.bimetica.com](http://www.bimetica.com)  
[www.technoform.com](http://www.technoform.com)



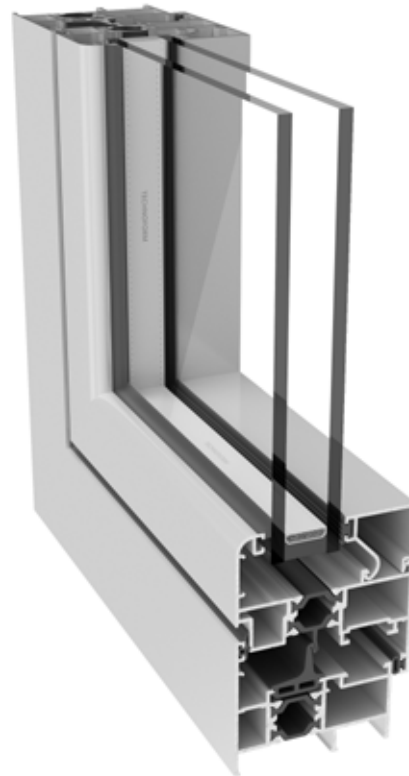
## Generic A11R

Casement window system with 54,2 mm frame and 61,2 mm sash.

It allows a glazing from 17 mm to 35 mm.

This system uses a Technoform thermal break of 24 mm polyamide 6.6 bars "C" profile, reinforced with 25% fibreglass.

Available both with European and C16 opening system.



## Generic A14R

Casement window system with 62 mm frame and 69 mm sash.

It allows a glazing from 25 mm to 46 mm.

This system uses a Technoform thermal break of 20 mm polyamide 6.6 bars "C" profile, reinforced with 25% fibreglass.

Available both with European and C16 opening system.

# Hydro B&C Applications



## Generic A14R E2 RPT

Casement window system with 76 mm frame and 83 mm sash.

It allows a glazing from 25 mm to 60 mm.

This system uses a Technoform thermal break of polyamide 6.6 bars "C" profile, reinforced with 25% fibreglass.

European hardware channel.



## Generic A94R

Casement window system with 45 mm frame and 52 mm sash.

Average thickness of 1.5 mm.

It allows a glazing from 7 mm to 28 mm.

This system uses a Technoform thermal break of 14,8 mm polyamide 6.6 bars flat profile, reinforced with 25% fibreglass.



## Generic A98R

Casement window system with 54,2 mm frame and 61,2 mm sash.

It allows a glazing from 16 mm to 37 mm.

This system uses a Technoform thermal break of 24 mm polyamide 6.6 bars flat profile, reinforced with 25% fiberglass.

Coating with Qualicoat certification.

**More information and downloads at:**

[www.hydroextrusions.com](http://www.hydroextrusions.com)  
[www.bimetica.com](http://www.bimetica.com)  
[www.technoform.com](http://www.technoform.com)

# Hydro B&C Applications



## Generic A45 RPT

Casement window system with 45 mm frame and 52 mm sash.

It allows a glazing up to 42 mm.

Wide range of profiles that allow solving the most complicated variety of enclosures.

This system uses a Technoform thermal break of polyamide 6.6, reinforced with 25% fibreglass.



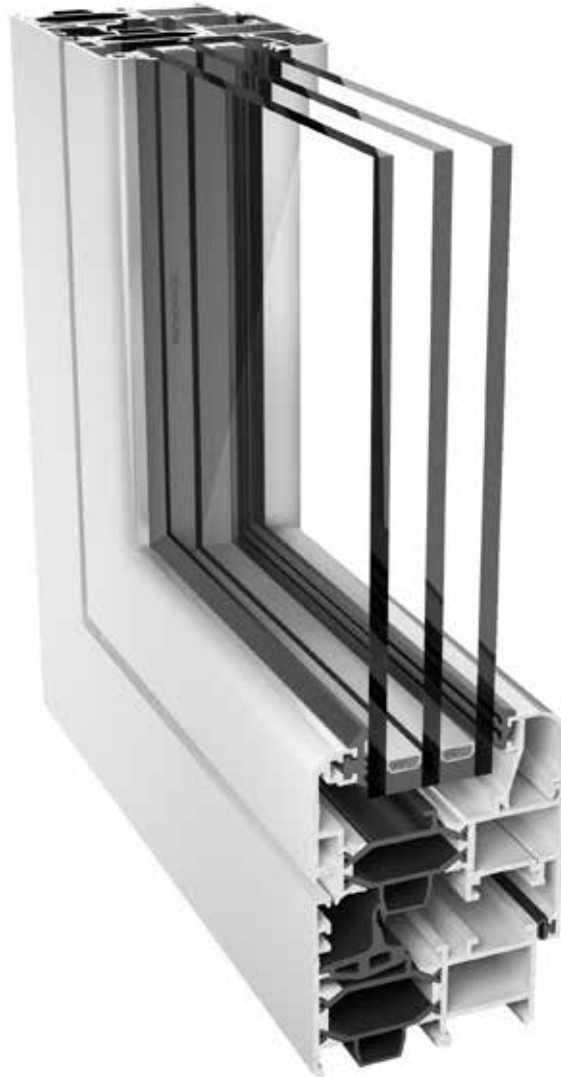
## Generic A54 RPT

The Alfil system has been designed to meet all the highest quality requirements associated with modern architecture.

The system is a European type with open joint made with thermal break profiles with which we obtain a frame of 54 mm and a sash of 61 mm.

This system benefits from a Technoform thermal break of 24 mm polyamide 6.6 strips flat profile, reinforced with 25% fibreglass.

It allows a glazing up to 45 mm.



## Generic A65 RPT

The profiles of this RPT system are assembled using Technoform 35 mm polyamide strips reinforced with glass fibre, with excellent thermal insulation properties and mechanical resistance.

Casement window system with 65 mm frame and 72 mm sash.

It allows a glazing up to 56 mm.

Wide range of profiles that allow solving the most complete variety of proposals for enclosures.

**More information and downloads at:**

[www.hydroextrusions.com](http://www.hydroextrusions.com)  
[www.bimetica.com](http://www.bimetica.com)  
[www.technoform.com](http://www.technoform.com)

# Hydro B&C Applications



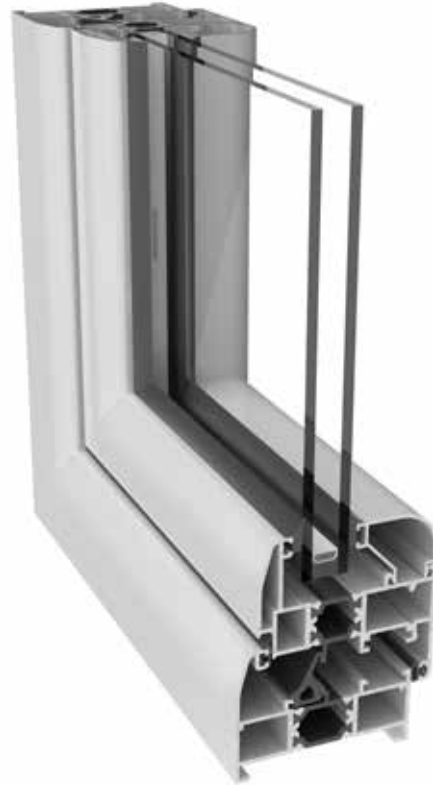
## Generic HO70 RPT

Hidden sash joinery, minimum exterior view section 59 mm and depth 70 mm, with high thermal performances.

It allows a glazing up to 36 mm.

This system offers the maximum sealing with triple joint of EPDM and PVC co-extruded.

This system benefits of a Technoform thermal break of 34 mm polyamide 6.6 bars "c" profile, reinforced with 25% fibreglass.



## Generic AR21

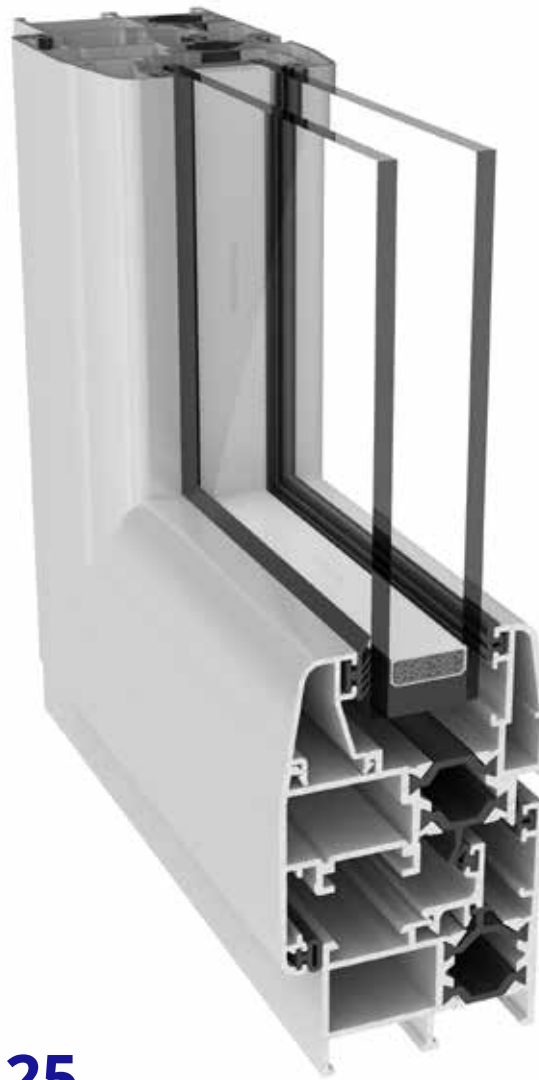
Casement window system with 70 mm frame and 70,5 mm sash.

It allows a glazing from 24 mm to 45 mm.

This system uses a Technoform thermal break of 24 mm and 20 mm polyamide 6.6 bars "C" profile, reinforced with 25% fibreglass.

Anodized aluminium hardware with Qualanod quality.





## Generic AR25

Casement window system with 50/62 mm frame, with 1,5 mm average thickness.

It allows a glazing up to 30 mm.

This system uses a Technoform thermal break of 20mm polyamide 6.6 in "c" profiles, reinforced with 25% fibreglass.

Available both with European and C16 opening system.

**More information and downloads at:**

[www.hydroextrusions.com](http://www.hydroextrusions.com)

[www.bimetica.com](http://www.bimetica.com)

[www.technoform.com](http://www.technoform.com)

# Extrugasa

Located in Valga, in the Pontevedra region, Extrugasa is one of the leading companies in aluminium extrusion and treatment in the country.

It has its own production plant and it is one of the system designers that offer more possibilities due to the extent of its catalogue that goes from the popular V8000 up to the new designs called QuinArq.

Extrugasa is positioned as a reliable company with whom the most risky projects can be developed thanks to a well prepared technical department.



## XP-60 TH

Casement window system with a 60 mm frame, with RPT.

Adaptable to all kinds of hardware European closing system.

It allows a glazing up to 35 mm.

Simplicity in installation and optimization of material.



**More information and downloads at:**

[www.extrugasa.com](http://www.extrugasa.com)  
[www.bimetica.com](http://www.bimetica.com)  
[www.technoform.com](http://www.technoform.com)



## XP-60 TH+

Casement window system with a 60 mm frame, with RPT.

Adaptable to all kinds of hardware glazing C16.

It allows a glazing up to 35 mm.

Good thermal, acoustic behaviour, as well as an improvement to the tightness and structural strength.



## XP-70 TH

Casement window system with a 70 mm frame, with RPT.

Adaptable to all kinds of hardware European closing system.

It allows a glazing up to 45 mm, which can use more energy-efficient glass.

Simplicity in installation and optimization of material.

# Extrugasa



## XP-70 TH HI

Casement window system with a 70 mm frame, with RPT.

Adaptable to all kinds of hardware European closing system.

Insulated injected foam between polyamides.

Straight staple ring.



## XP-70 TH+

Casement window system with a 70 mm frame, with RPT.

Adaptable to all kinds of hardware glazing C16.

It allows a glazing up to 45 mm, which can put more energy-efficient glass.

Traditional casement and fixed casement window combination: interior opening (1 top folding sash, turn and tilt with 1 or 2 sashes, oscillating parallel and corrugated) or exterior opening (1 or 2 casement sashes).



## XP-70 TH+ HI

Casement window system with a 70 mm frame, with RPT.

Adaptable to all kinds of hardware glazing C16.

Insulated injected foam between polyamides.

Tubular gasket.



## XP-70 HO TH

Hidden sash window system with a 70 mm frame, with RPT.

Adaptable to all kinds of hardware European closing system.

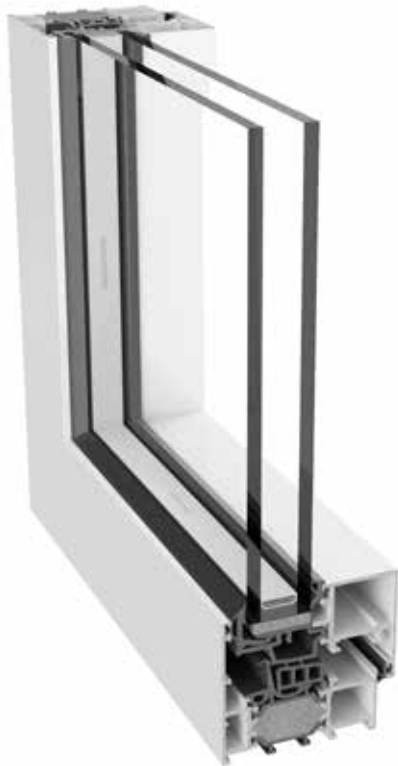
It allows a glazing up to 40 mm.

Clipping rim in polyamide and EPDM.

**More information and downloads at:**

[www.extrugasa.com](http://www.extrugasa.com)  
[www.bimetica.com](http://www.bimetica.com)  
[www.technoform.com](http://www.technoform.com)

# Extrugasa



## XP-70 HO TH HI

Hidden casement sheet 70 mm frame, high end.

Adaptable to all kinds of hardware European closing system.

It allows a glazing up to 40 mm, which can use more energy-efficient glass.

Insulating foam under the glass unit, thermal gasket and foam injected between polyamides improve the window performances and its thermal efficiency.



## XP-70 HO TH+

Hidden casement sheet 70 mm frame, high end.

Adaptable to all kinds of hardware glazing C16.

It allows a glazing up to 40 mm.

Casement and fixed window combination: interior opening (1 or 2 casement sashes, 1 top folding sash, turn and tilt with 1 or 2 sashes).



## XP-70 HO TH+ HI

Hidden casement sheet 70 mm frame, high end.

Adaptable to all kinds of hardware glazing C16.

It allows a glazing up to 40 mm, which can use more energy-efficient glass.

Insulating foam under the glass unit, thermal gasket and foam injected between polyamides improve the window performance and its thermal efficiency.



## XS-60 TH

Sliding system with 60 mm frame and 29 mm sash, it's a mid-range with excellent performance, due to the dimensions of the sashes and wide rolling tracks, allows larger fabrication.

It allows a glazing up to 32 mm.

This system uses a Technoform thermal break made of a 32 mm wide polyamide 6.6, reinforced with 25% fibreglass.

Sealing gaskets with weather stripping.

**More information and downloads at:**

[www.extrugasa.com](http://www.extrugasa.com)  
[www.bimetica.com](http://www.bimetica.com)  
[www.technoform.com](http://www.technoform.com)

# Kawneer

Kawneer is a brand belonging to the international group Alcoa, internationally recognised as a specialist in solutions for façades and curtain walls.

Kawneer also has a complete line of systems for aluminium windows and doors that fulfil all the technical and normative requirements.

Kawneer window and door systems are characterized for its innovation in design and for its diversity in possible solutions.



## Kassiopée

The range of Kassiopée of Kawneer consists of 3 main versions: 52, 62 and 72 mm depth.

Each version is available in hidden sash and visible sash version.

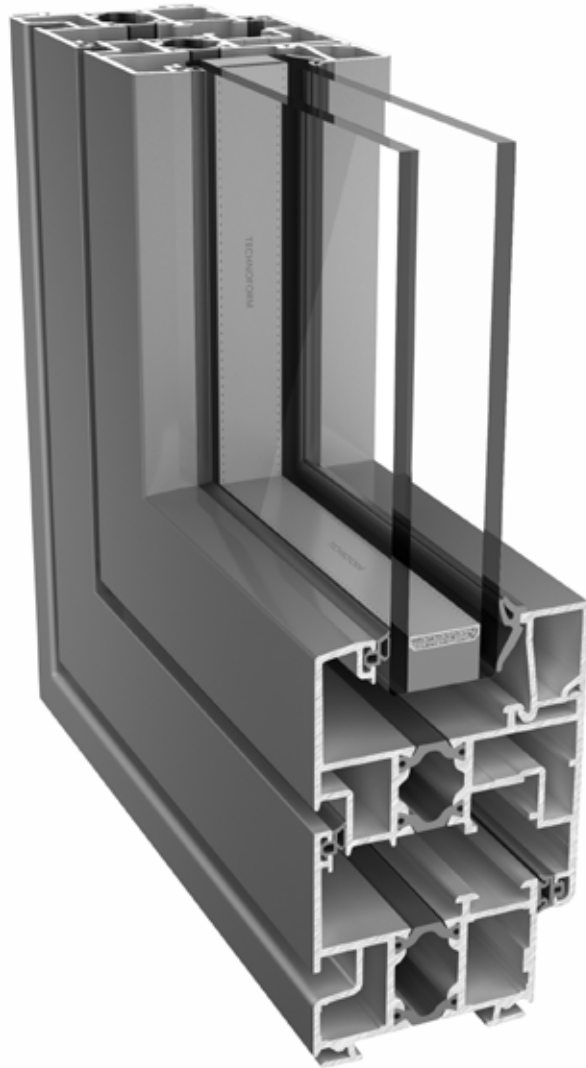
The opening system can be chosen between normal tilt, French and tilt and turn opening.

All modalities of the Kassiopée system include polyamide of Technoform designed especially for Kawneer.

**More information and downloads at:**

[www.kawneer.com](http://www.kawneer.com)  
[www.polantis.com](http://www.polantis.com)  
[www.technoform.com](http://www.technoform.com)





## Kalory AA765

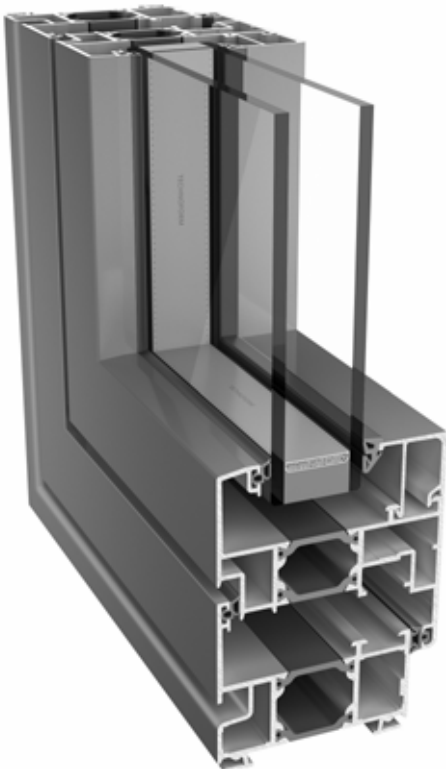
This window system has a frame width of 52 mm.

Window with high thermal insulation.

Conforms to RT 2005 thermal regulations.

This system benefits from Technoform thermal break made of polyamide 6.6 reinforced with 25% fibreglass.

# Kawneer



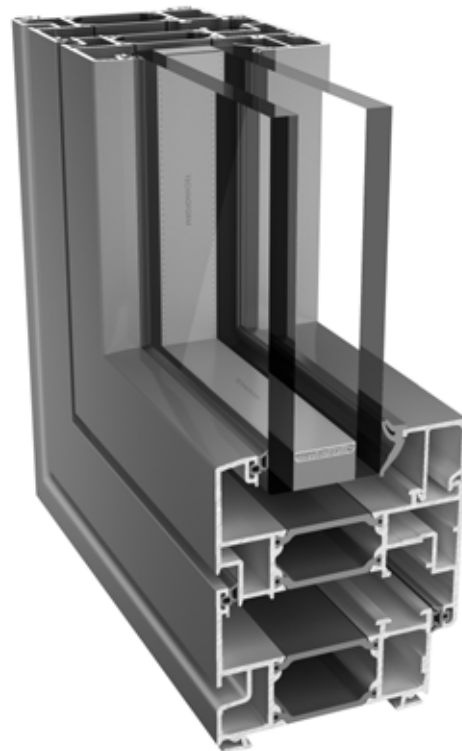
## Kalory AA766

This window system has a frame width of 62 mm.

Cross members with visible aluminium reduced to 85 mm.

2 handle models available for attachment by supporting bracket or countersunk.

In this system beats the heart of Technoform thermal break made of polyamide 6.6 reinforced with 25% fibreglass to gain great insulating values.



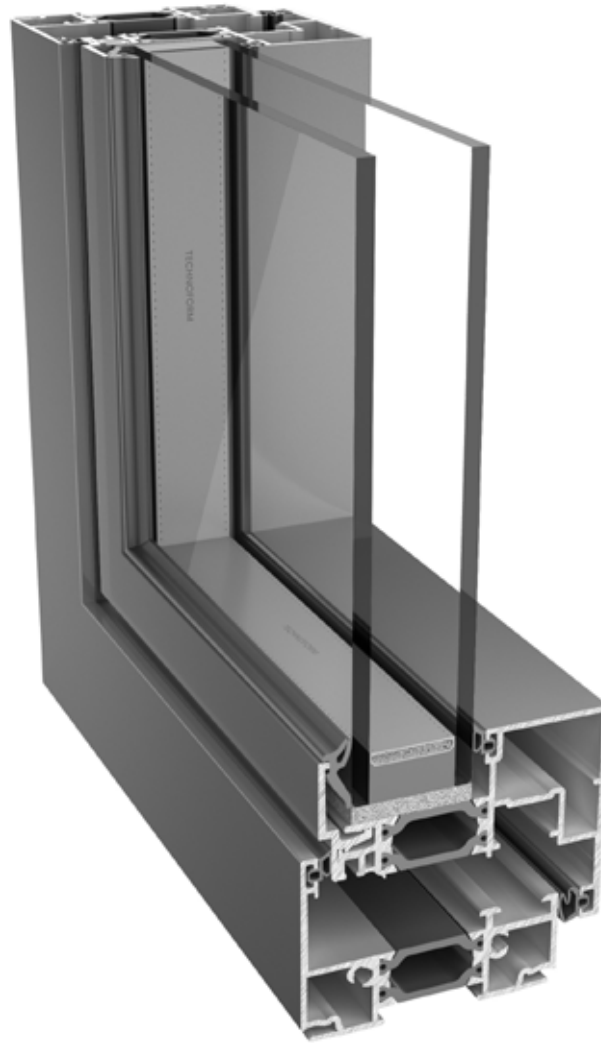
## Kalory AA767

This window system has a frame width of 72 mm.

Wide choice of colours: Integral, Arboreal, Texture.

In this system beats the heart of Technoform polyamide to gain great insulating values.

Varied choice of opening: Inward opening casement, tilt-turn, hopper, and French window designs.



## Kalory AA866 Special K

The window and door window with visible leaf Kalory Special K responds perfectly to projects with strict economic and energy requirements.

Specific conception for optimal manufacturing and implementation.

This system uses a Technoform thermal break made of polyamide 6.6 reinforced with 25% fibreglass.

The maximum dimensions per sash for the window are H 2300 x W 1450 mm, 100 Kg max, per sash.

**More information and downloads at:**

[www.kawneer.com](http://www.kawneer.com)  
[www.polantis.com](http://www.polantis.com)  
[www.technoform.com](http://www.technoform.com)

# Kawneer



## Kasting AA3765

Kawneer Kasting AA3765 is characterized by a frame width of 52 mm.

Sliding window with 2 rails, 3 rails and multirail for very large openings.

Homogeneous aesthetics with the windows of the Kawneer range.

It allows a glazing up to glazing up to 25 mm.



## Kasting AA3766

Kawneer Kasting AA3766 is characterized by a frame width of 62 mm.

This system benefits of a Technoform thermal break of 100, 120, 140 and 160 mm.

Frame block for continuation of insulation: 100, 120, 140, 160 mm.

Accessories available matching the joinery colour.



## Kasting AA3767

Kawneer Kasting AA3767 is characterized by a frame width of 72 mm.

Sliding window with concealed threshold or flat threshold for easy access.

Available in grey or black glazing gasket and profiles with a slightly curved design and a straight look.

This system uses a Technoform thermal break made of polyamide 6.6 reinforced with 25% fibreglass.



## Kasting AA3865 Special K

The sliding Kasting Special K is available in window and door-window in 2 rails 2,3 or 4 sheets version.

The maximum dimensions are H 2200 x W 3000 mm, 110 Kg maximum per sash.

The thinnest aluminium frontal views on the market: 30 mm joint, 58 support crossbars with reduced threshold.

This system uses a Technoform thermal break made of polyamide 6.6 reinforced with 25% fibreglass.

**More information and downloads at:**

[www.kawneer.com](http://www.kawneer.com)  
[www.polantis.com](http://www.polantis.com)  
[www.technoform.com](http://www.technoform.com)

# Kawneer



## Kanada AA765

This window system has a frame width of 52 mm.

The aluminum door Kanada AA765 meets all the thermal, acoustic, safety and aesthetic requirements.

It allows a glazing up to 54 mm.

This system uses a Technoform thermal break made of polyamide 6.6 reinforced with 25% fibreglass.



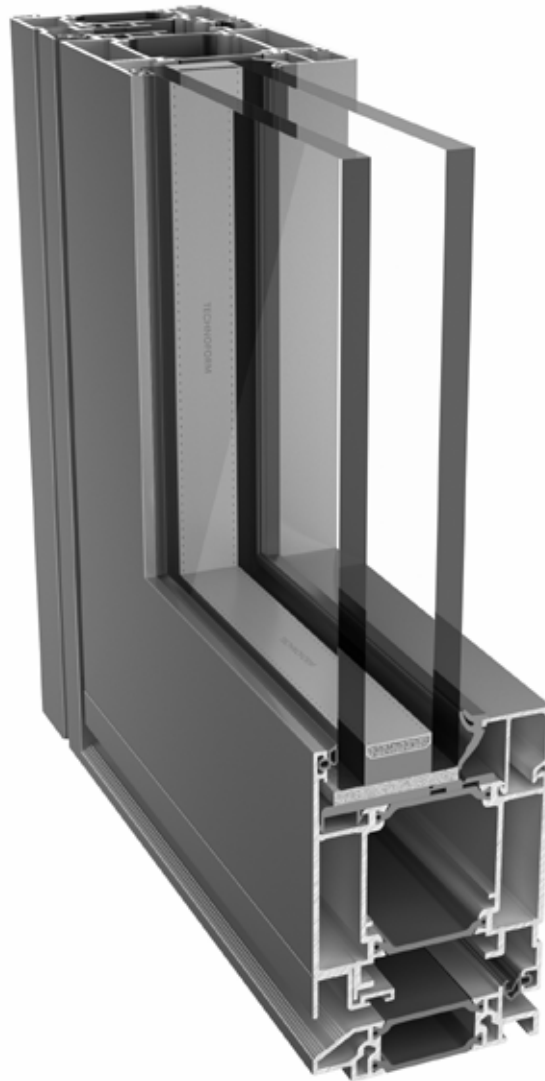
## Kanada AA766

This window system has a frame width of 62 mm.

3 kinds of aluminum door handles: Optima, Harmonie, Prestige.

Visible sashes from the exterior: interior opening with inverter, interior opening independent sash, exterior opening with inverter, external opening independent sash.

This system uses a Technoform thermal break made of polyamide 6.6 reinforced with 25% fibreglass.



## Kanada AA767

This window system has a frame width of 72 mm.

Aluminum door with thresholds: flat, waterproof and passage for people with reduced mobility.

This system uses a Technoform thermal break made of polyamide 6.6 reinforced with 25% fibreglass.

Available with gray or black glazing joinery.

**More information and downloads at:**

[www.kawneer.com](http://www.kawneer.com)  
[www.polantis.com](http://www.polantis.com)  
[www.technoform.com](http://www.technoform.com)

# Ingenium Doors

Since 1993, Ingenium Doors has dedicated its energy and know-how to a single business: high-quality entry doors and security. For almost a quarter of a century it has become a benchmark in terms of style and quality. Its products meet the highest criteria of durability, functionality and safety.



## SEKURYT 10

Mono-block door of 68 mm frame thickness, and 70 mm hidden sash, to provide more safety.

The opening mechanism has up to 10 closing points to achieving an excellent security.

Triple glazing of 64 mm thickness with laminated glass in both sides.

This system benefits from a Technoform thermal break made of polyamide 6.6, reinforced with 25% fibreglass to achieve the best resistance to temperature changes.



**More information and downloads at:**

[www.sistemaspaneles.com](http://www.sistemaspaneles.com)  
[www.bimetica.com](http://www.bimetica.com)  
[www.technoform.com](http://www.technoform.com)





## **SEKURYT 14**

Mono-block door of 88 mm frame thickness, and 90 mm hidden sash, to provide more safety.

The opening mechanism has up to 14 closing points to achieving an excellent security.

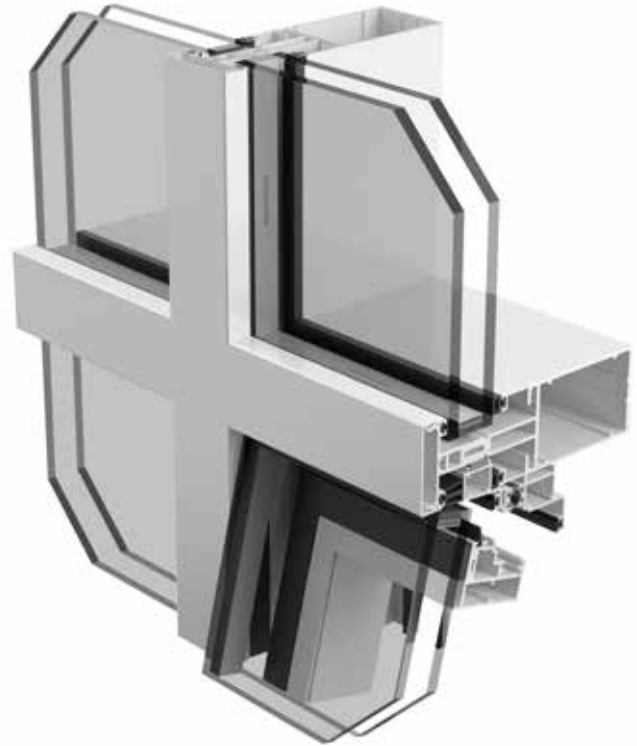
Triple glazing of 86 mm thickness with laminated glass in both sides.

This system benefits from a double Technoform thermal break made of polyamide 6.6, reinforced with 25% fibreglass to achieve the best resistance to temperature changes.

# Sistemas Continental

The Extrucolor-Policolor Group, with more than 40 years of experience in extrusion, lacquering, anodizing and machining of aluminium profiles, with a large and strong presence in Spain.

In the permanent commitment to improve the solutions and the quality of our series, taking advantage of the knowledge and experience of the Extrucolor-Policolor Group, with the criteria of adaptability, versatility, efficiency in performance and ease of assembly, Extrucolor-Policolor has developed the systems and carpentry solutions, considered the most complete and proportioned that currently exist in the market.



## EMC 60 TT

The grid is marked by the horizontal and vertical covers available with lacquered or anodized treatments.

Glass and panels perimetrically fastened to the mullions and transoms, by means of presser profiles screwed to them.

It allows glazing up to 45 mm.

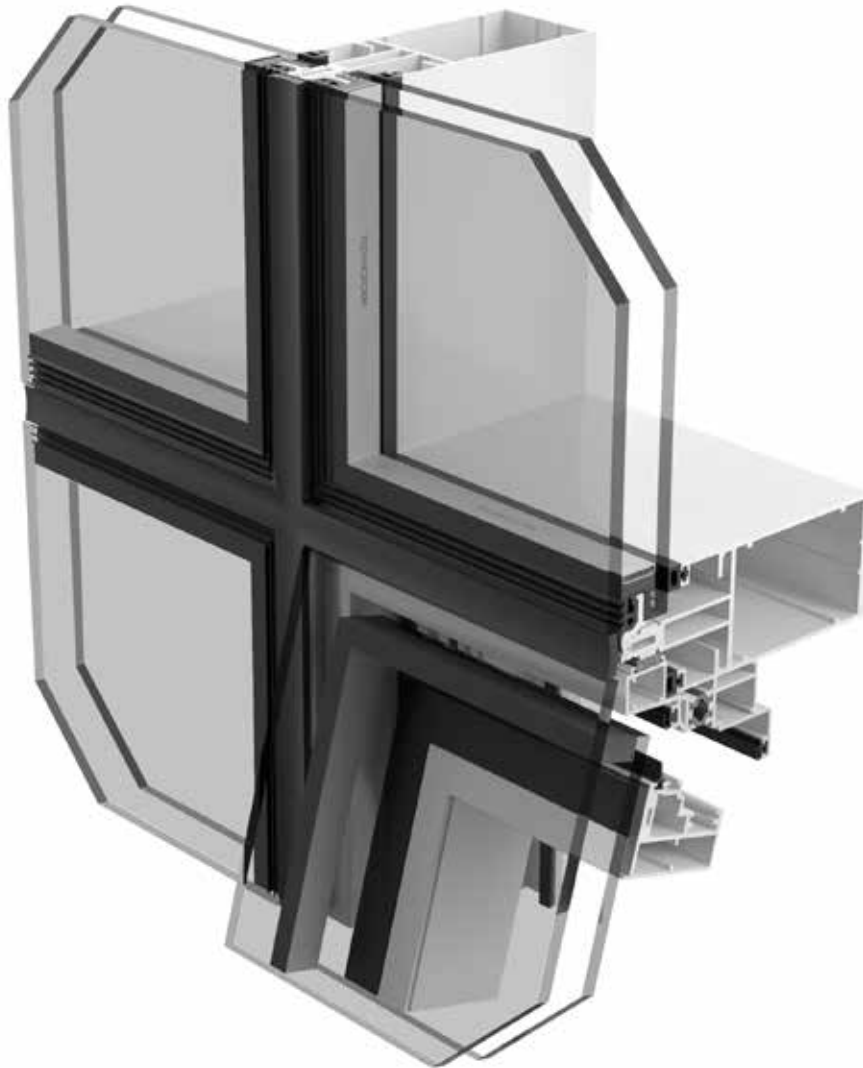
Thermal break with 40 mm polyamide 6.6 in "c" profiles, reinforced with 25% fibreglass.

Projecting window concealed from the outside with minimized dark glazing area.



**More information and downloads at:**

[www.aluminiosfranco.es](http://www.aluminiosfranco.es)  
[www.bimetica.com](http://www.bimetica.com)  
[www.technoform.com](http://www.technoform.com)



## **EMC 60 ED**

The fixed insulating glass unit is secured to the façade by means of a safety aluminum anchor that fastens the interior glass.

Glazing up to 20 mm.

Depth to the insulating chamber of 16 mm, to fit the EPDM gasket that receives the safety anchorage of the glass.

Projecting window concealed from the outside with minimized dark glazing area.

# Sistemas Continental



## EXA 80 RPT

Available in 1 fixed sash, 1 casement sash and 2 sashes models.

80 mm frame, 87 mm sash.

Glazing up to 50 mm.

European channel for mounting hardware.

Thermal break with 34 mm polyamide 6.6, reinforced with 25% fibreglass.



## 100-90 RPT

Lift & slide thermally broken system with polyamide 6.6 reinforced with 25% fibreglass, suited for dimension and weight, up to 4500 mmx2600 mm and 200 Kg/sash.

Glazing up to 33 mm.

Frame width and crossover options: Frame 90 mm + Perimetral Crossing 86 mm - Frame 100 mm + Minimalist straight crossing of 20 mm.

Possibility of closing inlaid or multipoint security.

**More information and downloads at:**

[www.aluminiosfranco.es](http://www.aluminiosfranco.es)  
[www.bimetica.com](http://www.bimetica.com)  
[www.technoform.com](http://www.technoform.com)

# AEA Generics

Asociación Española del Aluminio y Tratamientos de Superficie (AEA) is a non-profit association that performs the appropriate representation of the Spanish aluminium industry and watches over the defence of its global interests.



## Fixed Casement Window

This generic system has a frame thickness of 65 mm with a possible glazing of 26 mm.



More information and downloads at:

[www.asoc-aluminio.com](http://www.asoc-aluminio.com)  
[www.bimetica.com](http://www.bimetica.com)  
[www.technoform.com](http://www.technoform.com)

# AEA Generics



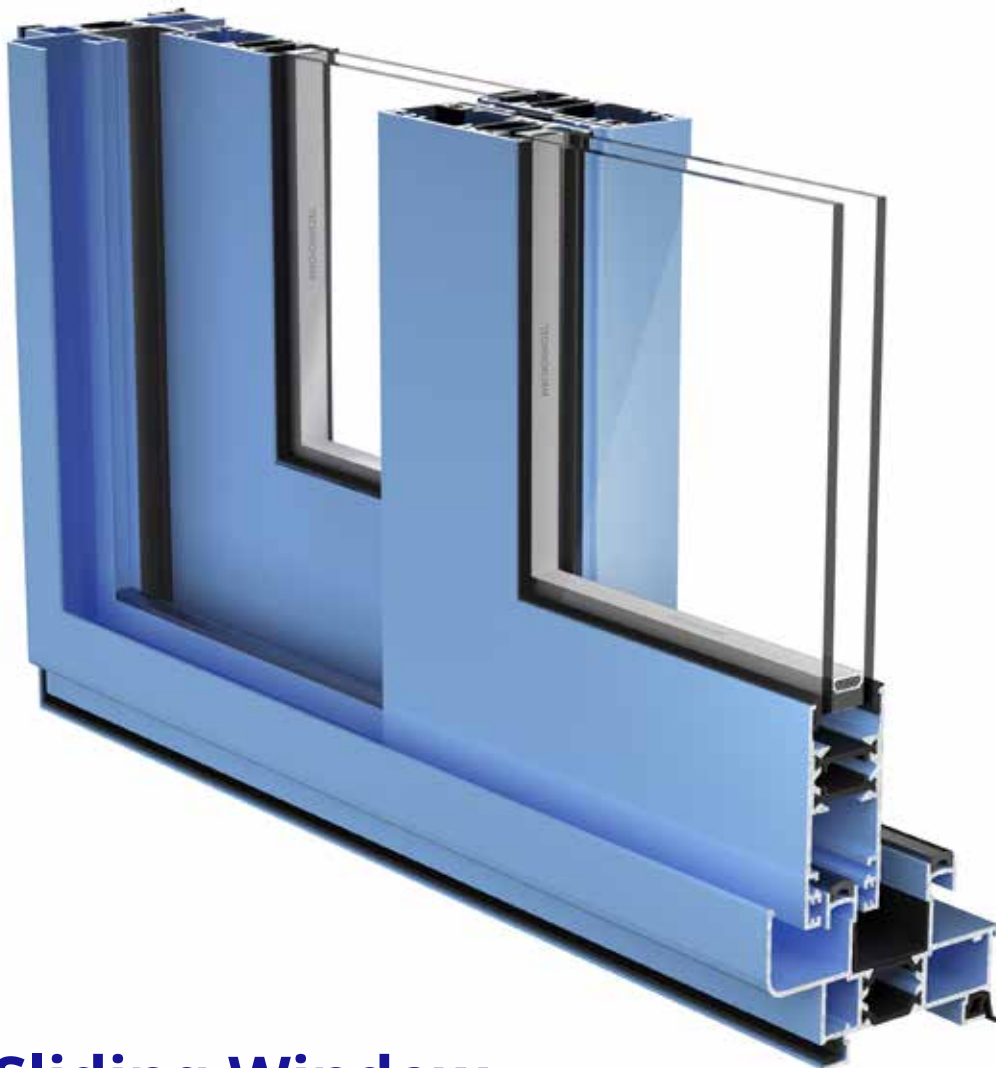
## Door

Mono-block door of 65 mm frame thickness, and 72 mm sash, with a glazing up to 38 mm.



## Lift & Slide Window

This generic double lift and sliding system has a frame thickness of 125 mm and a sash of 52 mm, with a possible glazing up to 30 mm.



## Sliding Window

This generic double slider has a frame thickness of 93 mm and a sash of 29 mm, with a possible glazing up to 38 mm.

**More information and downloads at:**

[www.asoc-aluminio.com](http://www.asoc-aluminio.com)  
[www.bimetica.com](http://www.bimetica.com)  
[www.technoform.com](http://www.technoform.com)

# AEA Generics



## Hidden Sash Window

This generic system has a frame thickness of 65 mm and a sash of 72 mm hidden sash, with a possible glazing of 24 mm, available with 1 or 2 sashes.

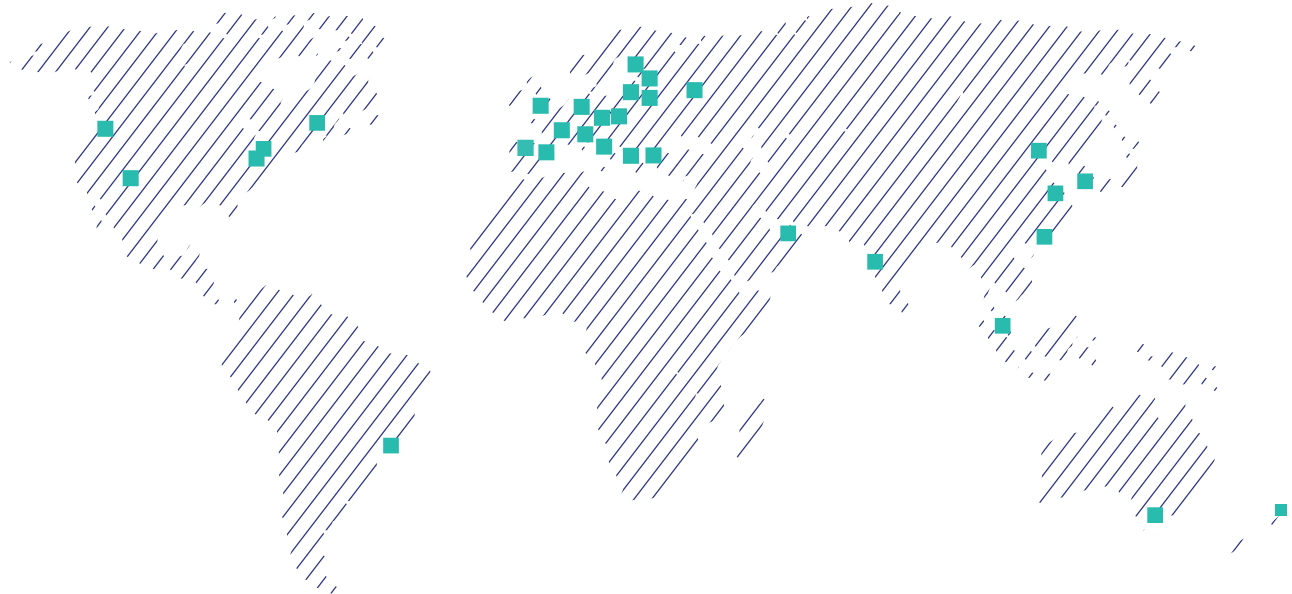


## Turn & Tilt Window

This generic turn & tilt system has a frame thickness of 65 mm and a sash of 72 mm sash, with a possible glazing of 38 mm, available with 1 or 2 sashes.



# Closer than you may think – you find us all over the world.



**Germany**  
Telephone: Fuldabrück  
+49 561 9583400

Telephone: Kassel  
+49 561 207530

**France**  
Telephone: Lyon  
+33 472 689580

**Great Britain**  
Telephone: Alcester  
+44 1789 761323

**Russia**  
Telephone: Moscow  
+7 495 9337153

**Italy**  
Telephone: Milan  
+39 02 9375 721

**Greece**  
Telephone: Thessalonica  
+30 2310 720286

**Balkans**  
Telephone: Istanbul  
+90 212 6698281

**Turkey**  
Telephone: Istanbul  
+90 212 6698281

**Spain**  
Telephone: Barcelona  
+34 932 386 438

Telephone: Tordesillas  
+34 983 796 632

**Middle East**  
Telephone: Dubai, UAE  
+971 4 3215615

**India**  
Telephone: Mumbai  
+91 96 19333880

**China**  
Telephone: Suzhou  
+86 512 62833188

Telephone: Beijing  
+86 010 65907177

Telephone: Shenzhen  
+86 755 26727912

Telephone: Shanghai  
+86 21 62611991

Telephone: Shenyang  
+86 24 23963791

Telephone: Hong Kong  
+852 2665 6322

Telephone: Chengdu  
+ 86 28 84397818

Telephone: Linq  
+86 139 5240 2431

Telephone: Hangzhou  
+86 183 0621 2579

Telephone: Xi'an  
+86 183 6275 2519

Telephone: Tianjin  
+86 183 0621 3160

**Korea**  
Telephone: Seoul  
+82 2 5017357

**Japan**  
Telephone: Tokyo  
+81 3 55799454

**Singapore**  
Telephone: Singapore  
+65 62739595

**Taiwan**  
Telephone: +886 95 5900727

**New Zealand**  
Telephone: Auckland  
+64 9415 9050

**Australia**  
Telephone: Melbourne  
+61 3 88445582

**North America**  
Telephone: Twinsburg, OH  
+1 330 4876600

Telephone: Lafayette, OR  
+1 971 8320502

Telephone: Johnson City, TN  
+1 423 2021812

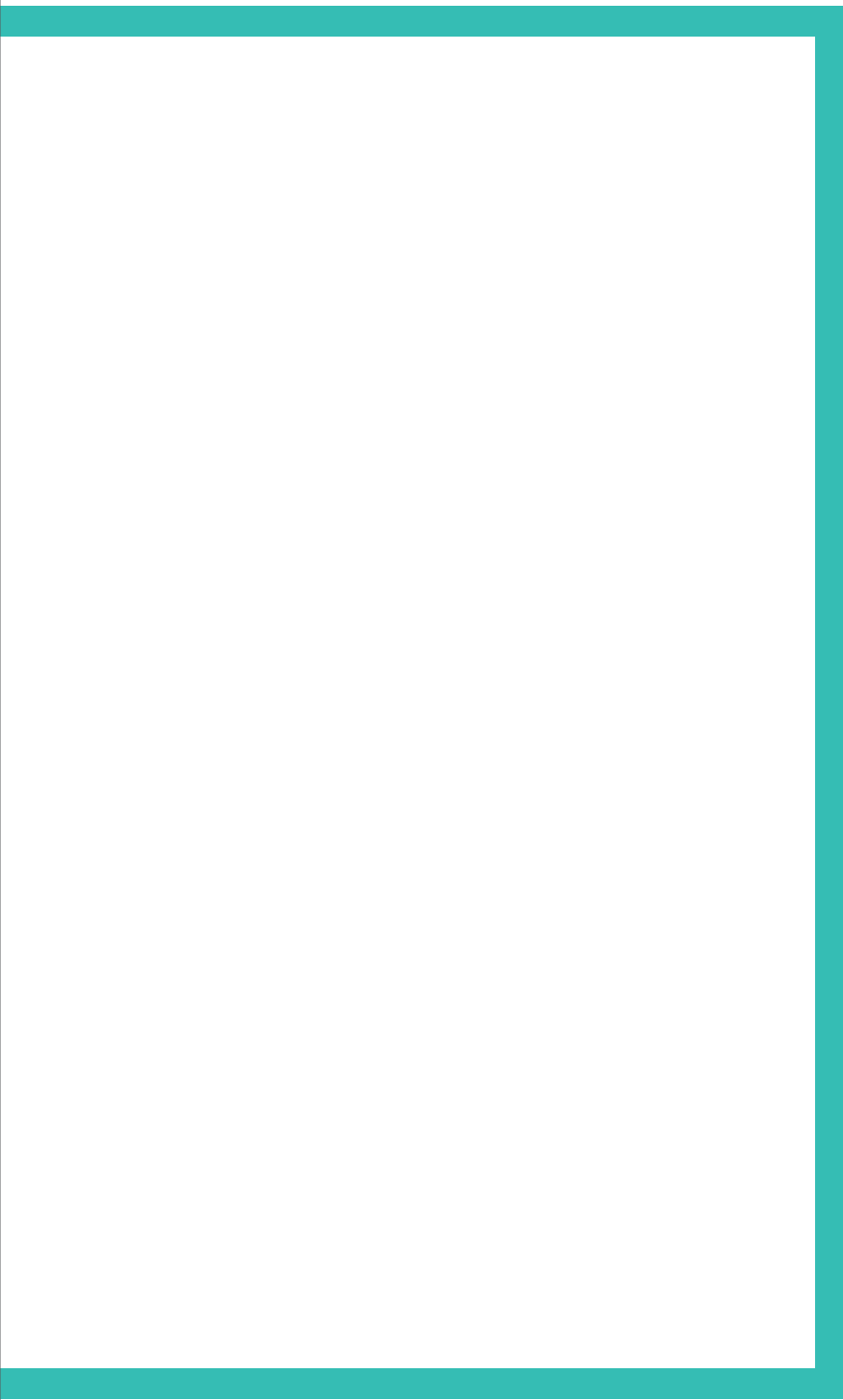
**South America**  
Telephone: São Paulo  
+55 11 9925 22708

**We can't wait  
to hear from you.**

Find us at:

[www.technoform.com](http://www.technoform.com)

[www.bimetica.com](http://www.bimetica.com)



**TECHNOFORM**

[www.technoform.com](http://www.technoform.com)